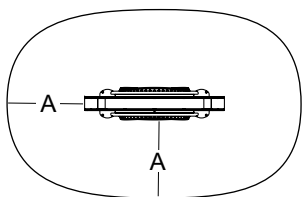


Assembly View (representative structure)



Equipment Use Zone
A - (ASTM): 72 in. (1830 mm)
(CSA): 1800 mm
(EN): 1540 mm

Installation Instructions

Playworld Systems[®]




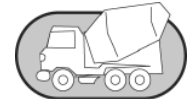



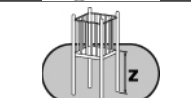
Models XX0081 and XX0081S

Revo

In-Ground and Surface Mount

Installation Preparation

Recommended Crew: Four (4) adults
 Installation Time (in-ground):..... 2 installation-hours
 Installation Time (surface mount): 1 installation-hour
 Concrete Required:(in-ground models).... 0.26 cubic yard (0,20 cubic meters)
 Use Zone:..... Refer to the information below
 User Group Age (years): ASTM/CSA: 5-12, EN: 6-14

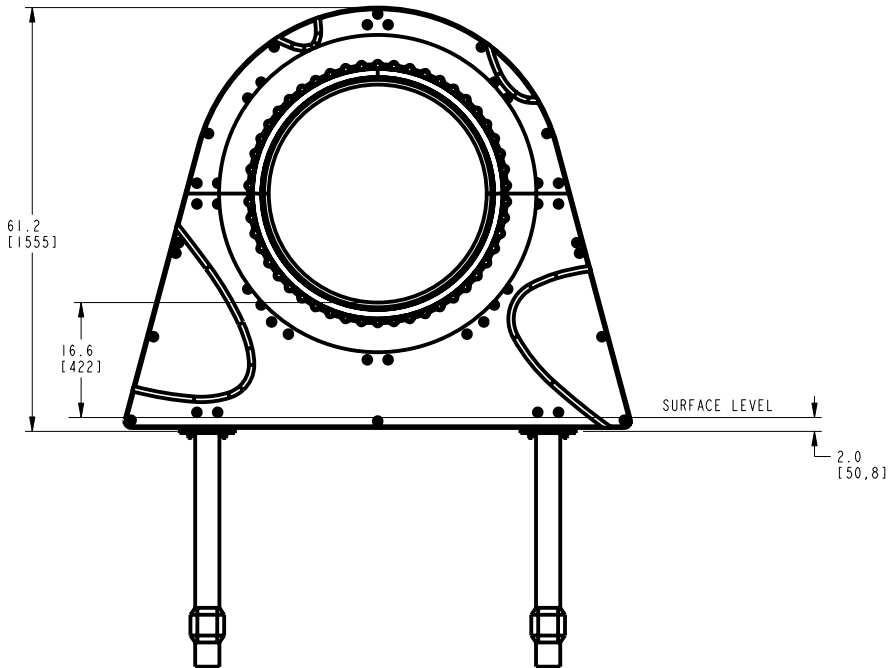
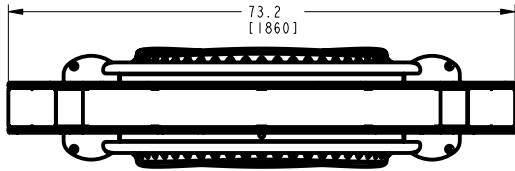
ICON KEY			
	Fully Tighten Hardware		Add 1 Drop of Thread Locking Adhesive
	Do Not Fully Tighten Hardware		Pour Concrete
	Drill		Dig Footing Holes
	Hammer		Critical Fall Height

Refer to the Elevation View for the specific Critical Fall Height for the component.

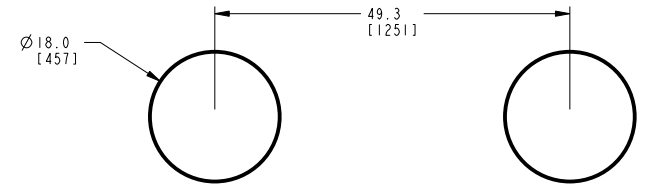
Installation Instructions

KEY	
Position	Unit of Measurement
Top #	Inches
Bottom #	[Millimeters]

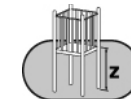
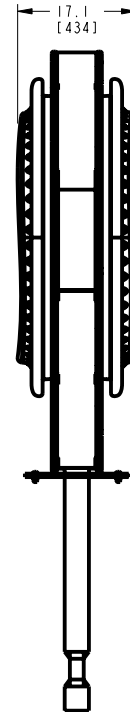
Top View



Elevation Views
ZZXX0081



Footing Diagram

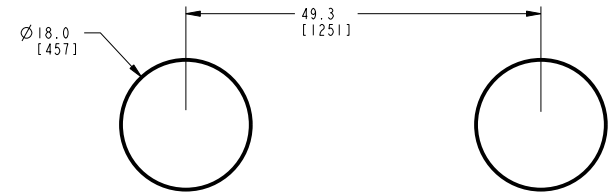
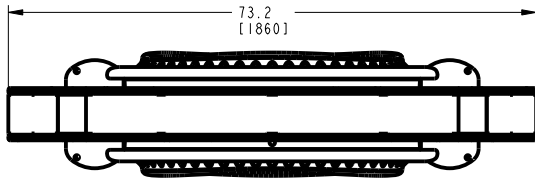


EN: 1555 mm

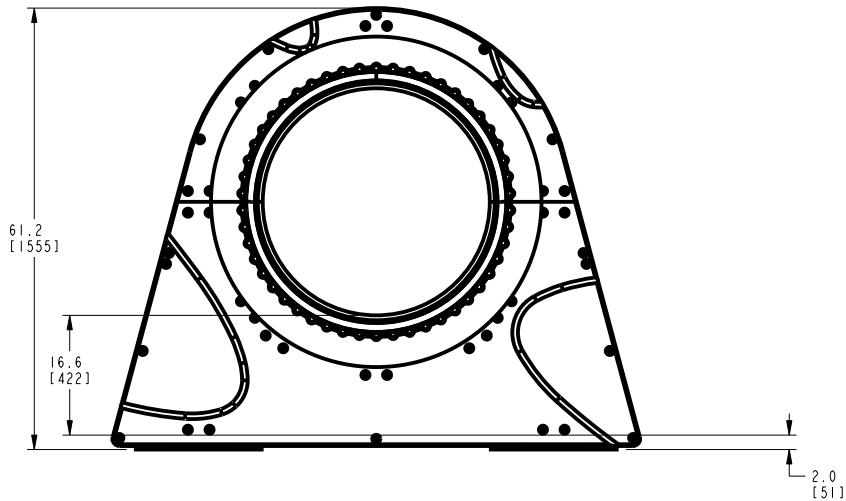
Installation Instructions

KEY	
Position	Unit of Measurement
Top #	Inches
Bottom #	[Millimeters]

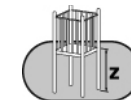
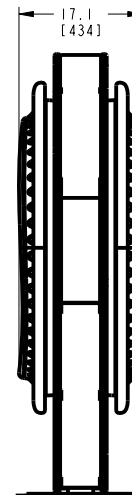
Top View



Footings Diagram



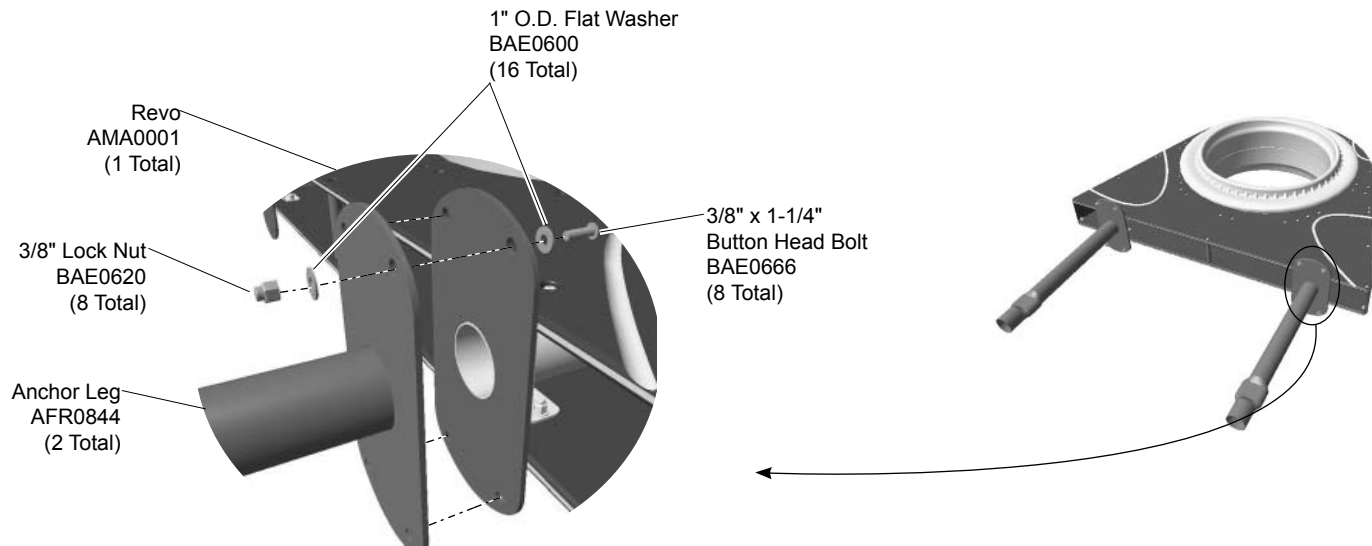
Elevation Views
ZZXX0081S



EN: 1555 mm

Installation Instructions

Follow the details in alphabetical order. For clarification, each detail references the step description. The step descriptions start on page 5.



Detail A Step 4



Attach the anchor legs to Revo
(in-ground model only)

Installation Instructions

Notes Before You Begin: Do not over tighten bolts during assembly, only snug tighten them until assembly is complete.

Carefully read and understand these installation instructions before you begin.

Step 1: Before attempting to assemble your equipment, please review all installation information carefully. Should you experience any difficulty during the installation process, please call us at the phone number shown on the last page of these instructions.

Step 2: Separate and identify all components and hardware.

Step 3: Excavate / prepare footings as shown in the **Support Post Footing Detail / Surface Mount Footing Detail** in the Annex at the end of this document.

Step 4: (*In-ground model only*) Attach the anchor legs to the Revo. See **Detail A**. Position the legs against the mounting plates on the Revo and attach as shown. Fully tighten the connections.

Final Details.

Step 5: Place the Revo in or on it's footing. Plumb and level the component. Fully tighten **all** fasteners according to tightening torque specifications.

Torque Specifications:

Bolts and nuts - Snug tighten and then tighten an additional one half turn.

In-ground: Block and brace for concrete. Pour concrete after all equipment has been assembled. Allow 72 hours for concrete to completely cure.

Surface Mount: Bolt down all surface mount supports in accordance with specifications provided by your registered structural engineer.

Important Note: Surface mount hardware is not supplied. Customer is responsible for concrete base and for providing surface mount hardware as specified by a registered structural engineer for each specific project application.

XX0081 - REVO

PART NO.	DESCRIPTION	QTY.
AFR0844	LEG - 34.00" x 15.00" x 8.00"	2
AMA0001	REVO	1
BAE0600	WASHER - 1" O.D. FLAT	16
BAE0620	NUT - 3/8"-16 LOCK w/NYLON CAP	8
BAE0666	BOLT - 3/8"-16 x 1-1/4" BUTTON HEAD - SS	8
BAE0902	TOOL - 7/32" SHORT HEX KEY WRENCH	1

XX0081S - REVO SURFACE MOUNT

PART NO.	DESCRIPTION	QTY.
AMA0001	REVO	1



PLAYWORLD
The world needs play.™

For Customer Service, Call
800-233-8404 or
570-522-9800 OUTSIDE U.S.
 1000 Buffalo Road • Lewisburg, PA 17837
www.playworldsystems.com



Fasteners

- Inspect for loose fasteners.
Tightening torque specifications are:
Bolts and Nuts: Snug tighten and tighten an additional one-half turn.
- If during the maintenance process a bolt needs to be removed from a part or parts, it will be necessary to apply a drop of liquid thread lock / loctite to the bolt before reinstallation.
- Inspect for missing, worn or broken fasteners. If any missing, worn or broken fasteners are found, refer to the installation instructions for proper replacement fastener. If any damage is detected, barricade equipment to prevent use until repair is completed. Contact your sales representative immediately for a replacement part.

Plastic Parts

- Inspect all plastic surfaces for sharp points, cracks or jagged edges. If any damage is detected and is determined to be unsafe, barricade equipment to prevent use until repair is completed. Minor burrs or sharp edges may be removed by using a sharp utility knife or block plane to remove sharp burr.

Finish

- Inspect metal parts for finish damage.
To repair painted surfaces, sand damaged area with sandpaper and wipe clean. Mask area and paint with primer and allow to dry. Paint primed area with color-matching paint and allow to dry. Recoat area with color-matching paint if required. Drying time is approximately 8 hours between coats.

Footings

- Inspect component to be solid in, or on, the footing and secure. If any damage is detected, barricade equipment to prevent use until repair is completed.

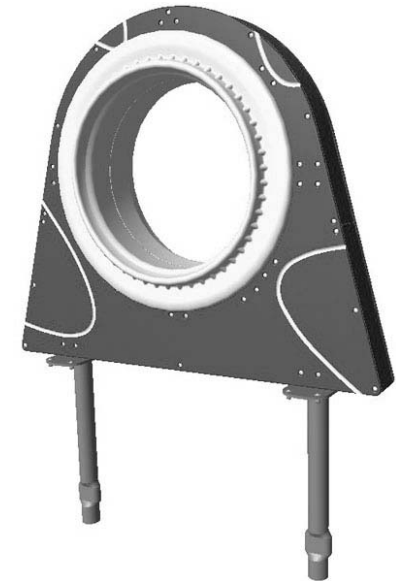
Surfacing

- Refer to the specific surfacing maintenance detail sheet for additional information.

Replacement Parts

- Refer to your installation instructions to obtain replacement part number.
- Contact your sales representative or call Playworld Systems' Customer Service for a replacement part.

Equipment Maintenance Playworld Systems® Models XX0081 and XX0081S Revo In-Ground and Surface Mount



Inspection Form

Preventive Maintenance

... for Safety's Sake!

- Be sure that you are using a copy of this Inspection Form and not your original.
- Use the Inspection Codes listed below and record condition of equipment at time of examination on the Inspection Checklist.
- Document any item from the Inspection Checklist that will require maintenance along with any corrective action on the Maintenance Schedule.
- Be sure to include appropriate dates and signatures on each section to properly document maintenance procedure.

INSPECTION CHECKLIST

	Frequency	Inspection Code	Date	Date Repairs Completed
Inspect plastic parts for damage.	Medium			
Inspect for loose, missing, worn, or broken fasteners.	High			
Inspect metal parts for structural and finish damage.	Medium			
Inspect surfacing to insure proper depth and distribution.	High			
Inspect footing to insure support is secure and footing is not damaged.	Low			

Inspection Codes
P = Pass F = Fail
NA = Not Applicable

Inspector: Name (Please Print) _____ Signature: _____ Date: ___ / ___ / ___

MAINTENANCE SCHEDULE

Item in Question	Description of Problem	Corrective Action	Date

Repairer: Name (Please Print) _____ Signature: _____ Date: ___ / ___ / ___

