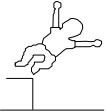
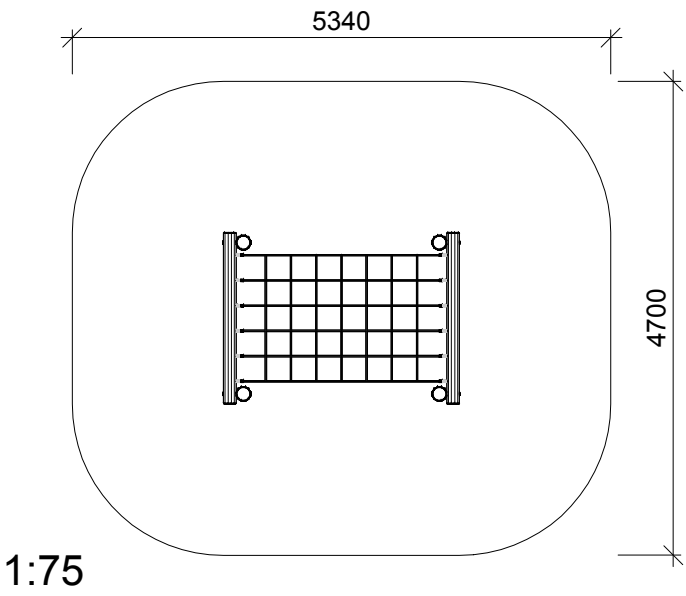
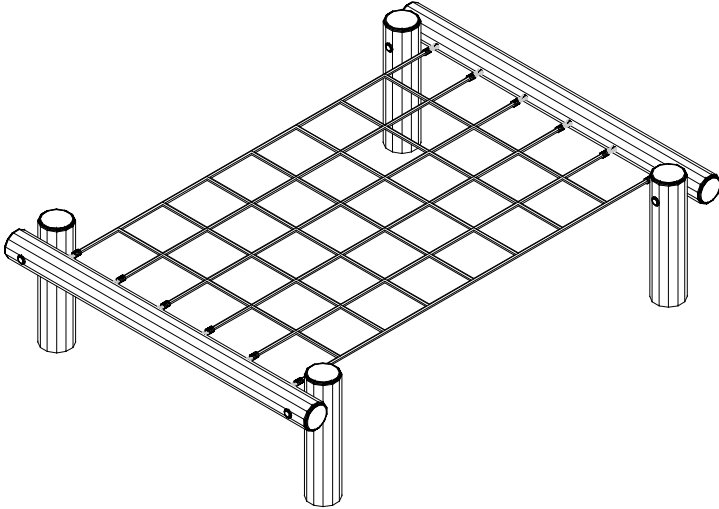
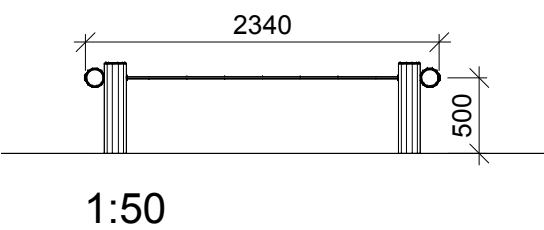
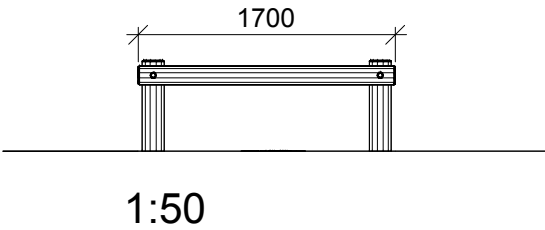


NORLEG	
Robinia vandret kravlenet	
LE 20904	
21.06.2004	REV. 30.04.2015

< 600

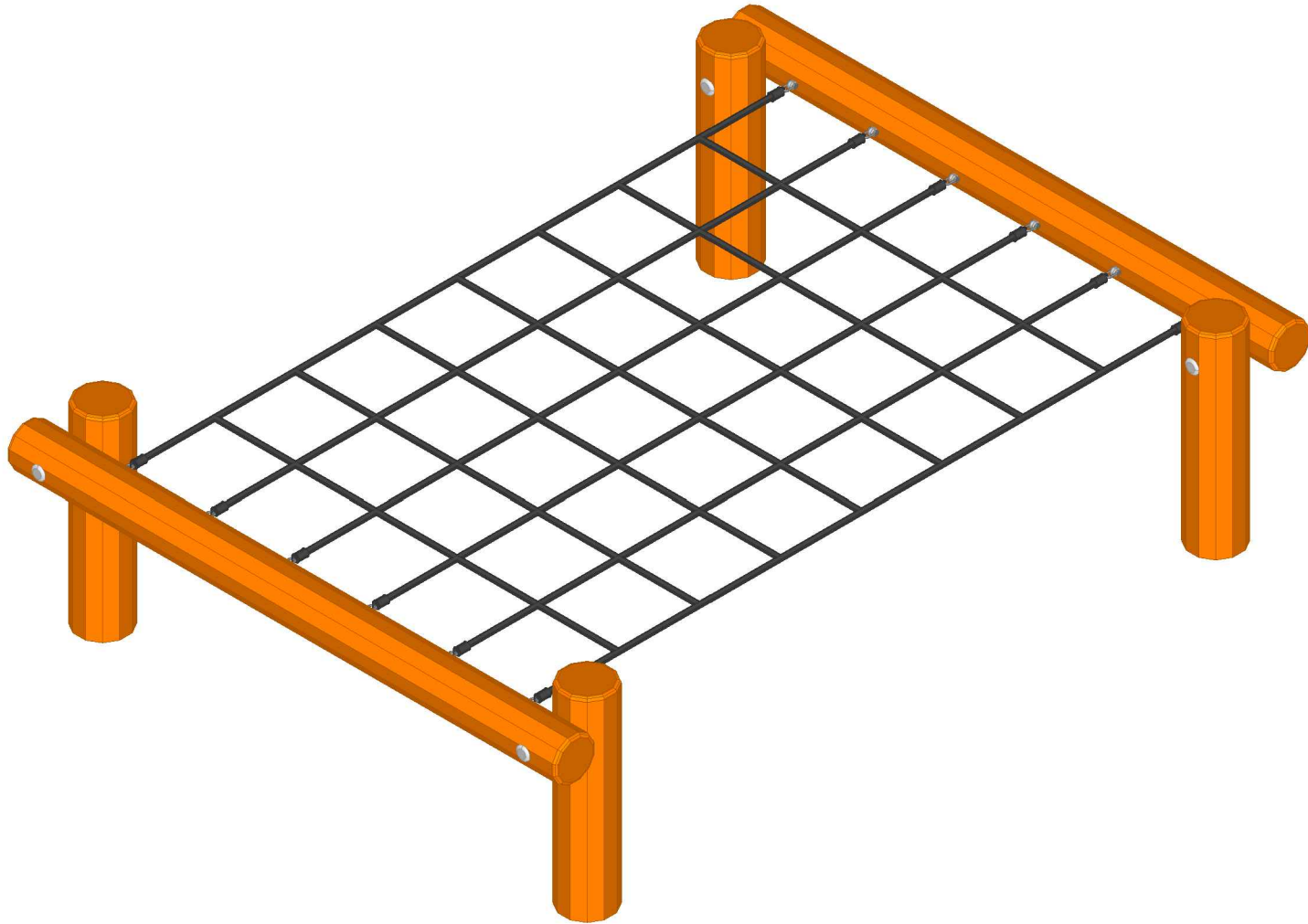


≥ EN 1176



This drawing is the property of NORLEG and pursuant to current legislation may not be copied, transferred to or used by any third party. Should this drawing be used, a fee of 10% of the assumed contract price will be charged.

NORLEG - 3D	
Robinia vandret kravlenet	
LE 20904	
21.06.2004	REV. 30.04.2015



This drawing is the property of NORLEG and pursuant to current legislation may not be copied, transferred to or used by any third party. Should this drawing be used, a fee of 10% of the assumed contract price will be charged.

NORLEG - Mont.	
Robinia vandret kravlenet	
LE 20904	
21.06.2004	REV. 30.04.2015

< 600

≥ EN 1176

Mont.p. nr.

2A
4
19

Parts list		
Mrk.	QTY	Part.no
1	4	140-160-1400
2	2	120-140-1700
3	1	LE 26036

