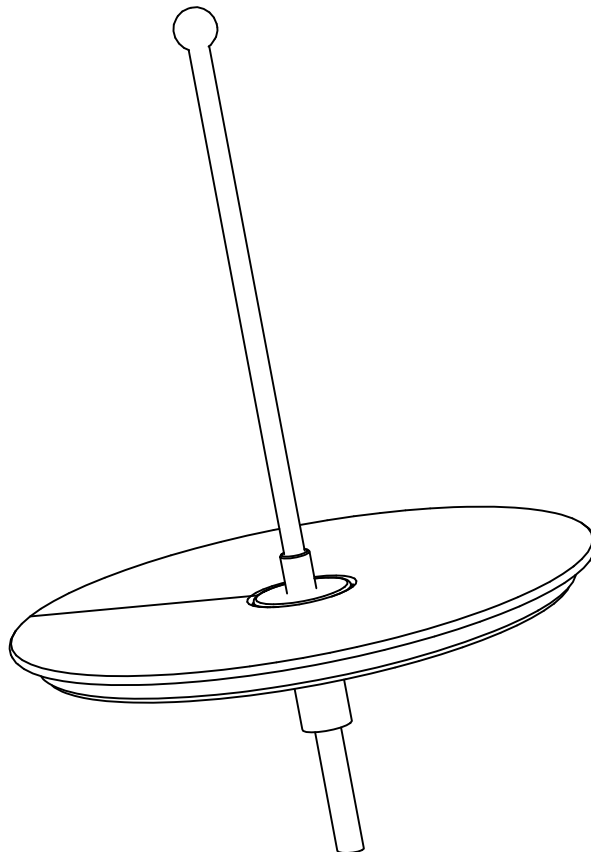
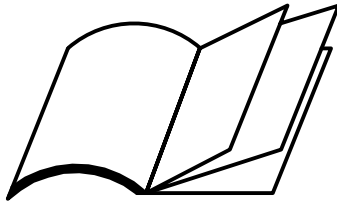


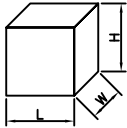
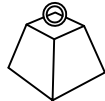

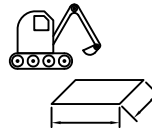
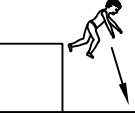

HAGS

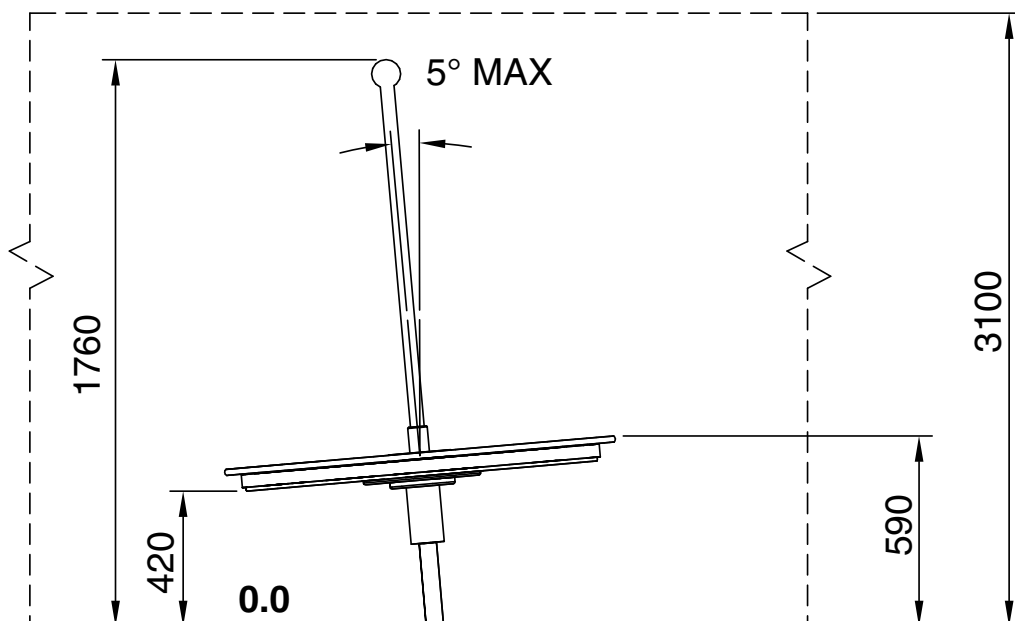
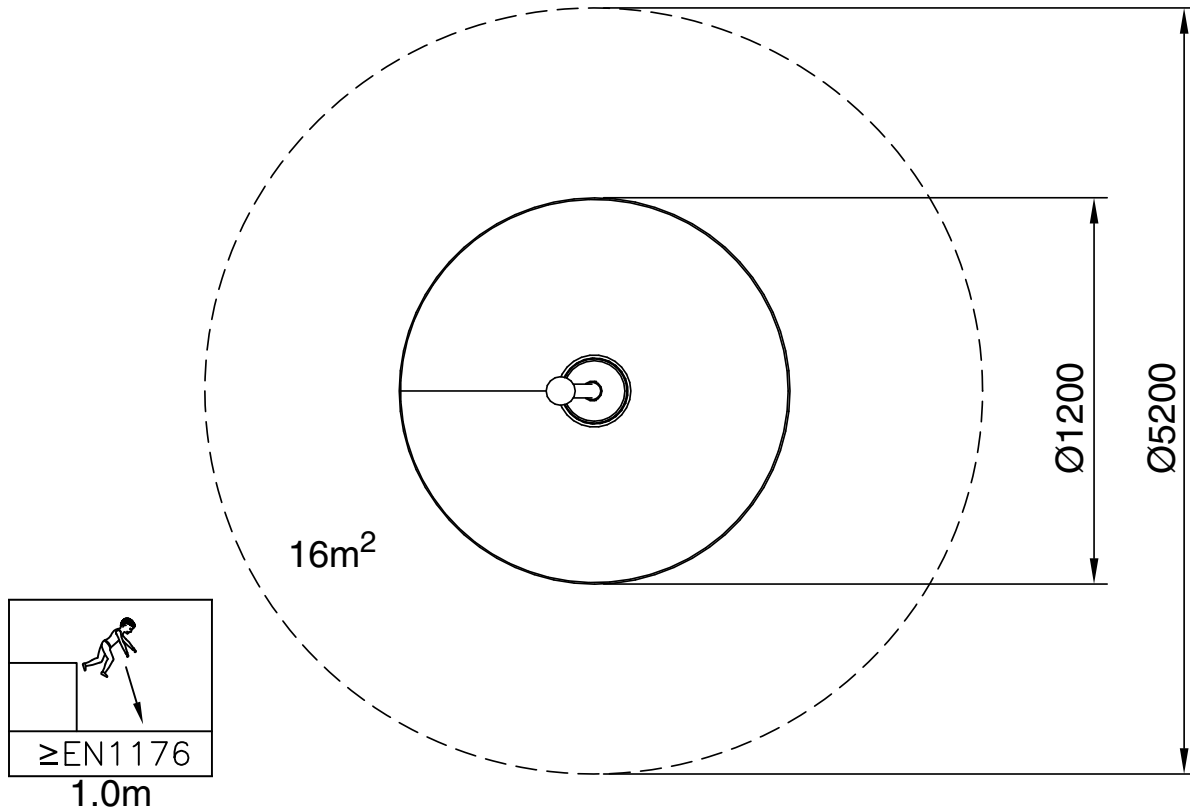
NEXUS MOMENTUM

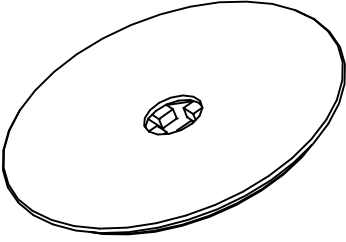
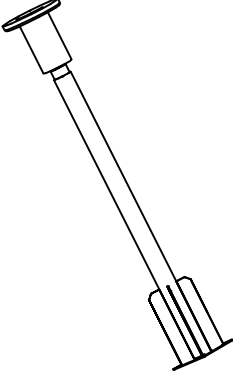
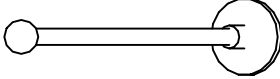
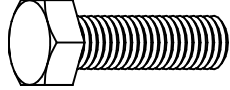
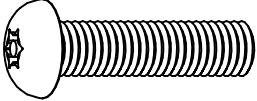
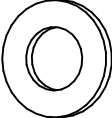
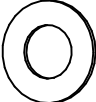
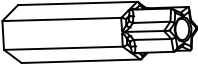
NXMOM

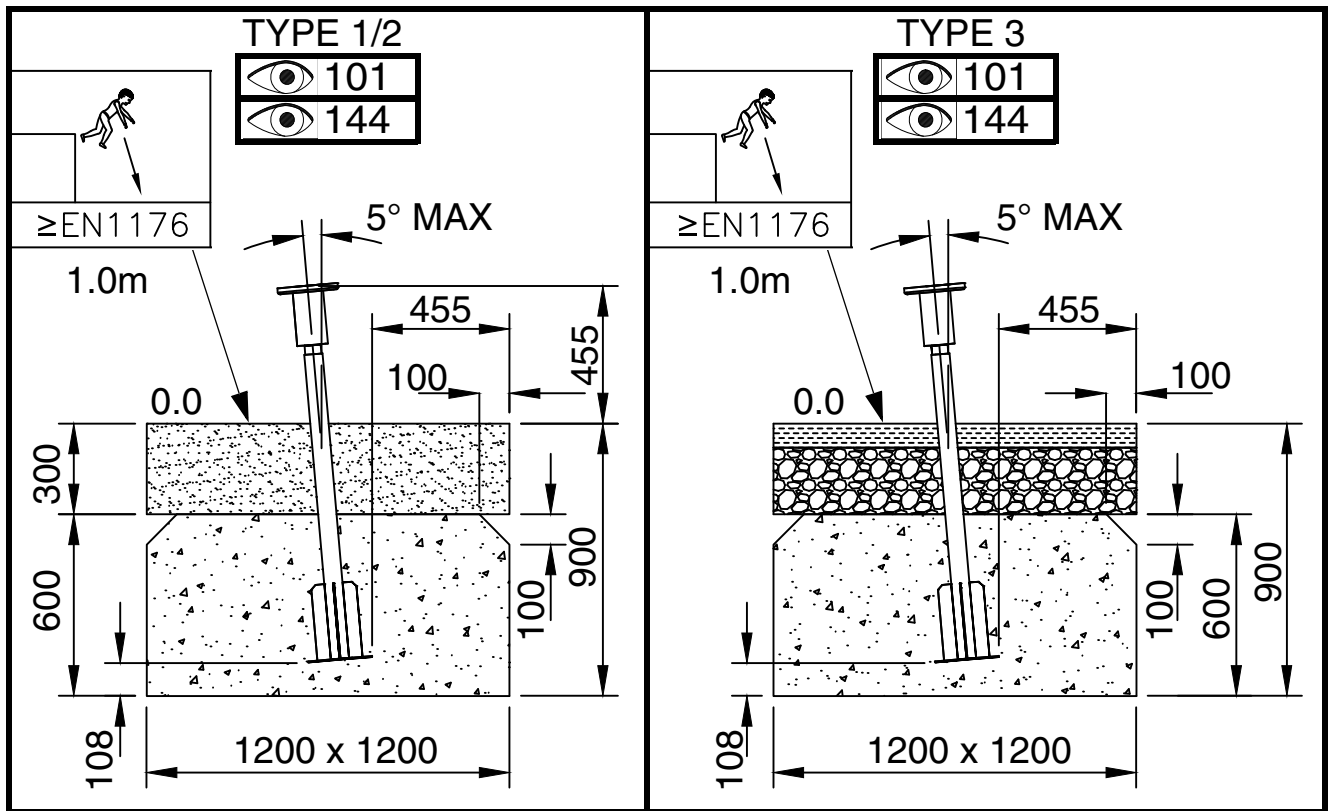




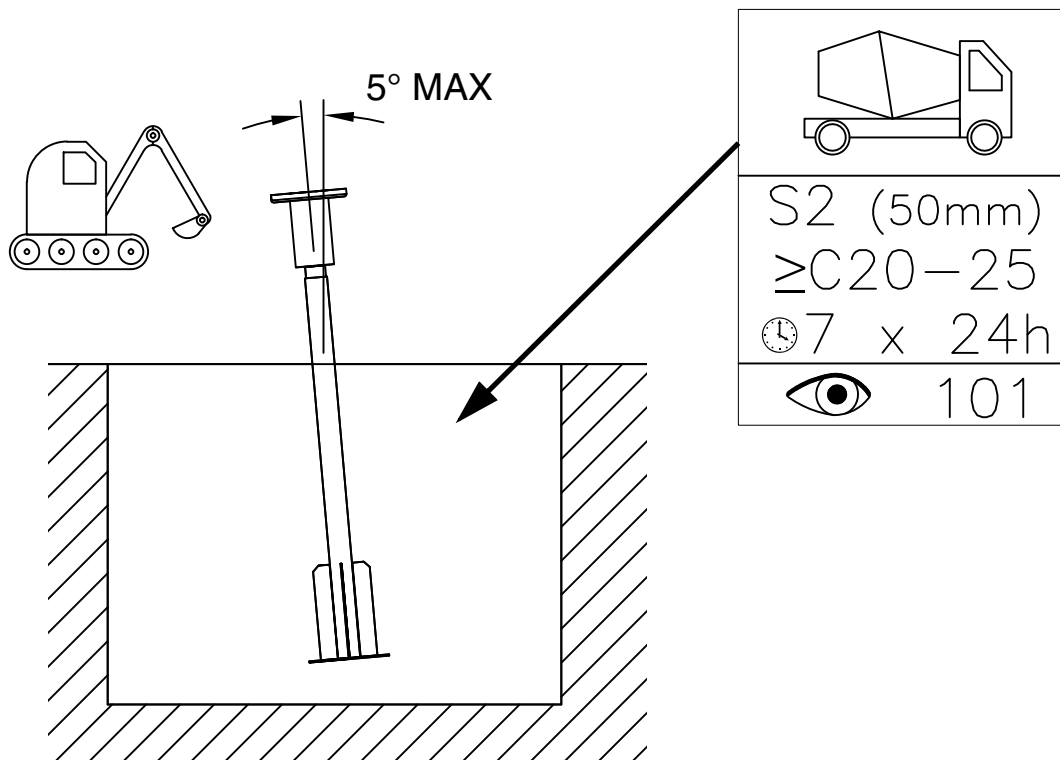
	 LxWxH (m)	 kg	 m ³	 m	 ≥EN1176	 x 3 = T
NXMOM	Ø1.20x1.76	123.0	0.80	3 x 3	1.0	T=5h



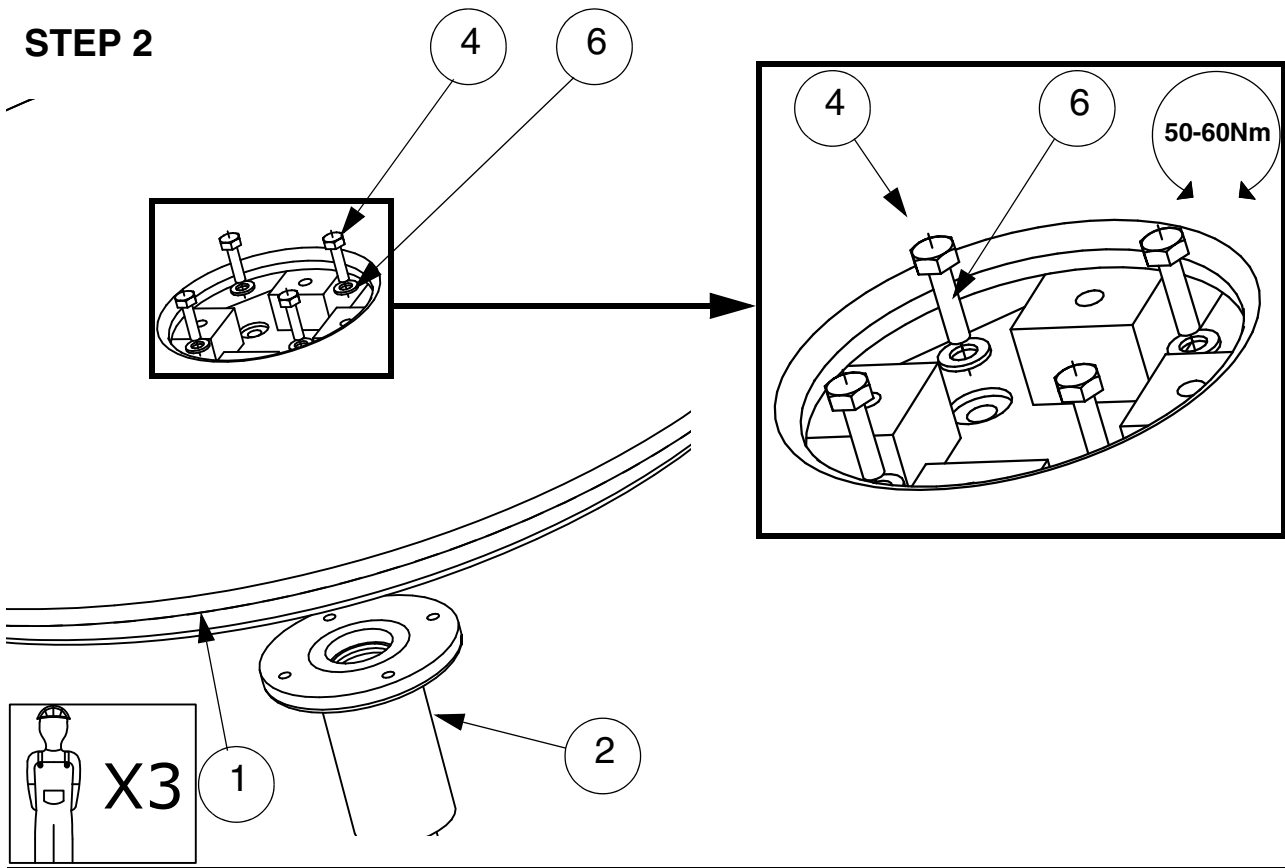
ITEM	CODE	DESCRIPTION	NXMOM QTY	WEIGHT (kg)
1	37009001		1	74.00
2	37009201		1	39.12
3	37009101		1	9.50
4	10251240	 M12 X 40	4	0.050
5	10121040	 M10 X 40	4	0.037
6	10291200	 M12 13X24X2.5	4	0.003
7	10291000	 M10 11X21X1	4	0.002
8	10121000	 T45 M10	2	-



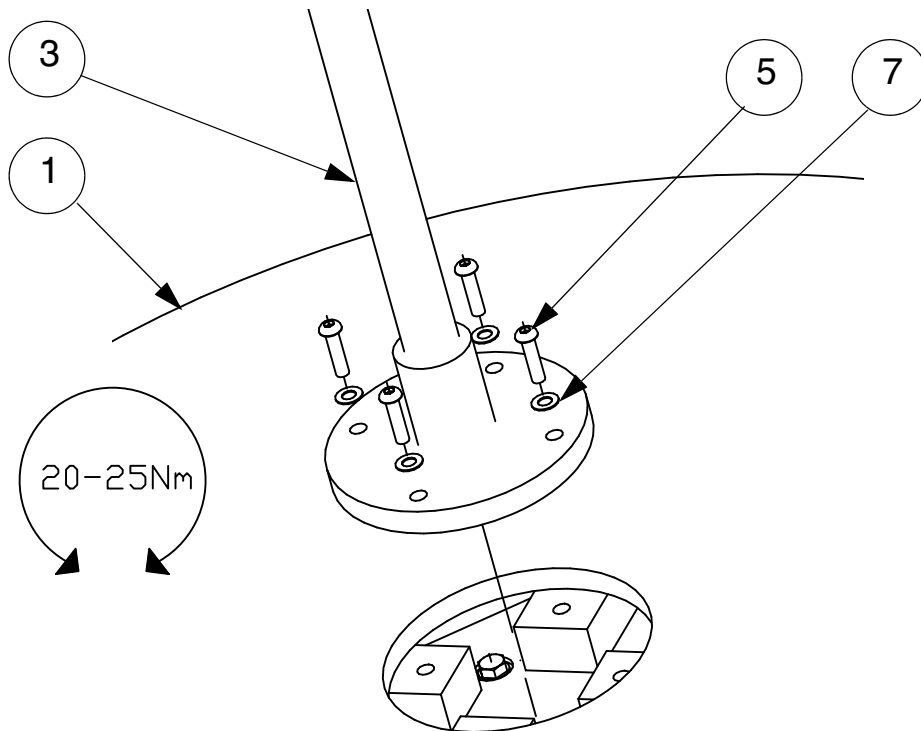
STEP 1



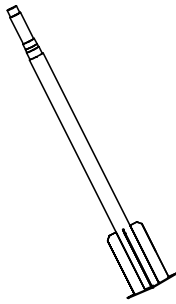
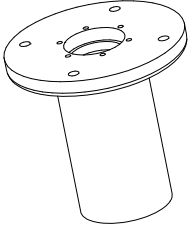
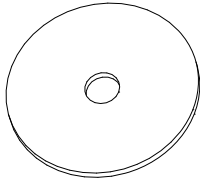
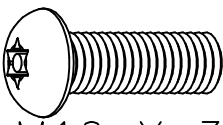
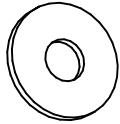
STEP 2

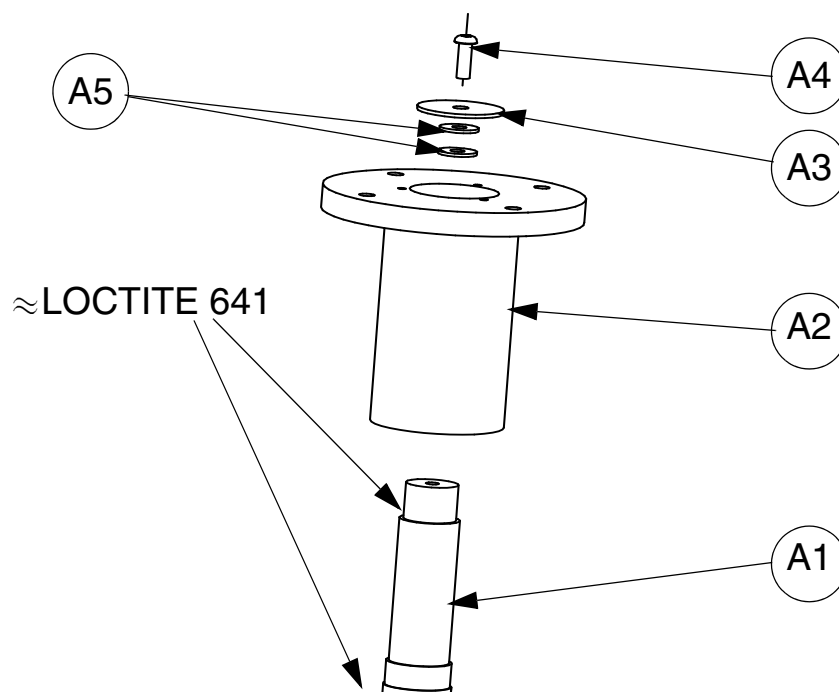


STEP 3

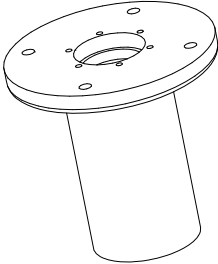

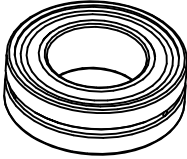
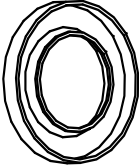


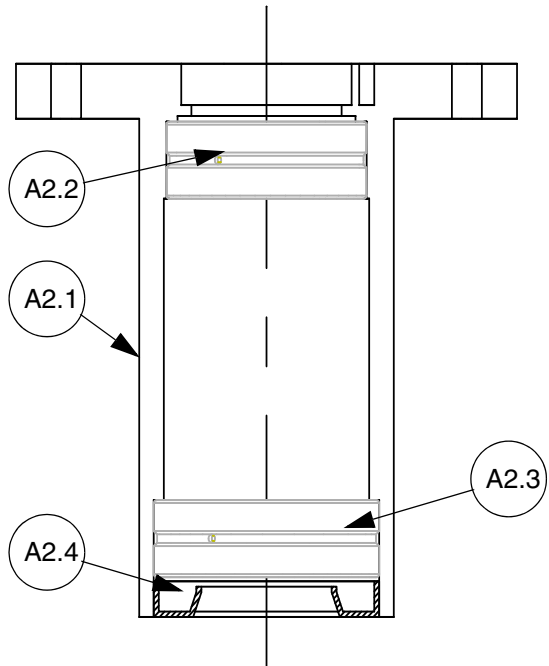
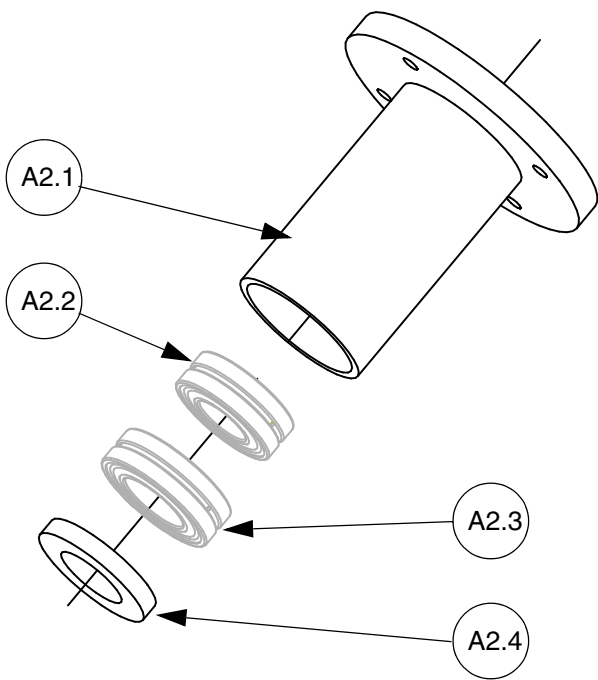
Appendix A:
REF 37009201

ITEM	REF		QTY.	kg
A1	37009202		1	28.00
A2	38004001		1	11.000
A3	71000109		1	0.080
A4	10121030	 M10 X 30	1	0.030
A5	10309999	 M10 11X30X2.5	2	0.011



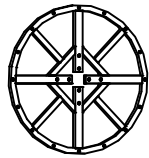
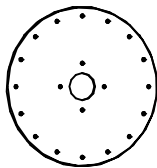
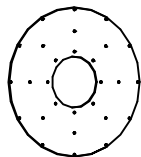
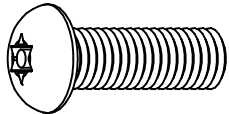
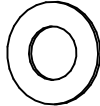
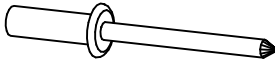
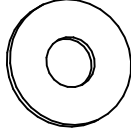
REF 38004001

ITEM	REF		QTY.	kg
A2.1	38004012		1	10.100
A2.2	71022208		1	0.50
A2.3	71022210		1	0.70
A2.4	71000110		1	0.015



Appendix B:

REF 37009001

ITEM	REF		QTY.	kg
B1	37009002		1	43.00
B2	37009003		1	19.00
B3	37009004		1	11.50
B4	10121030	 M10 X 30	20	0.028
B5	10291000	 M10 11X21X1	20	0.002
B6	10350516	 5 X 16	28	0.002
B7	10290500	 M5	28	0.001

