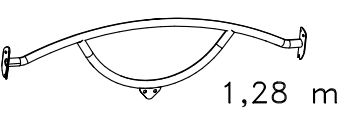
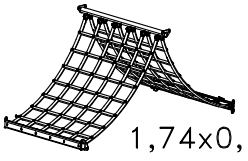
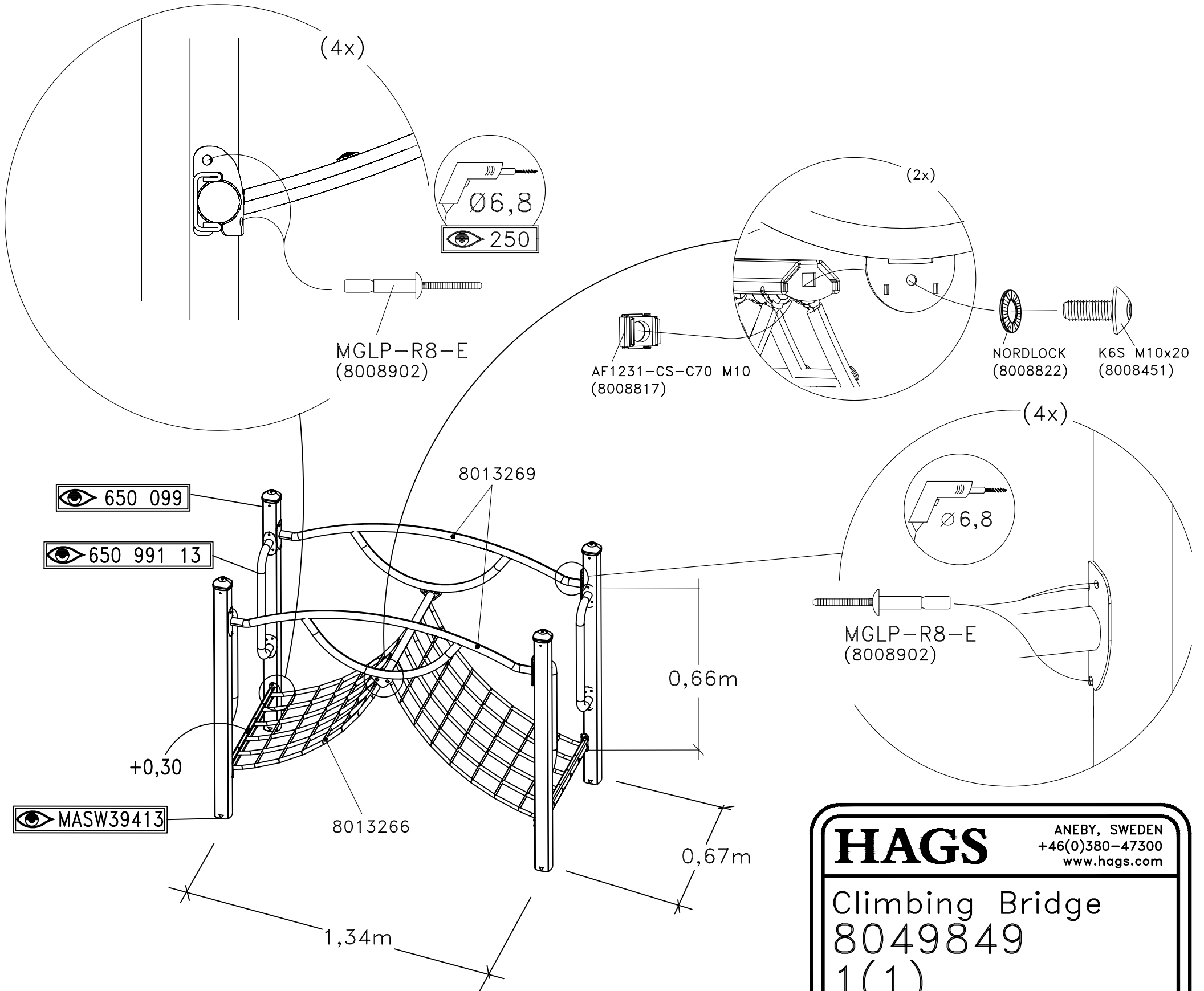
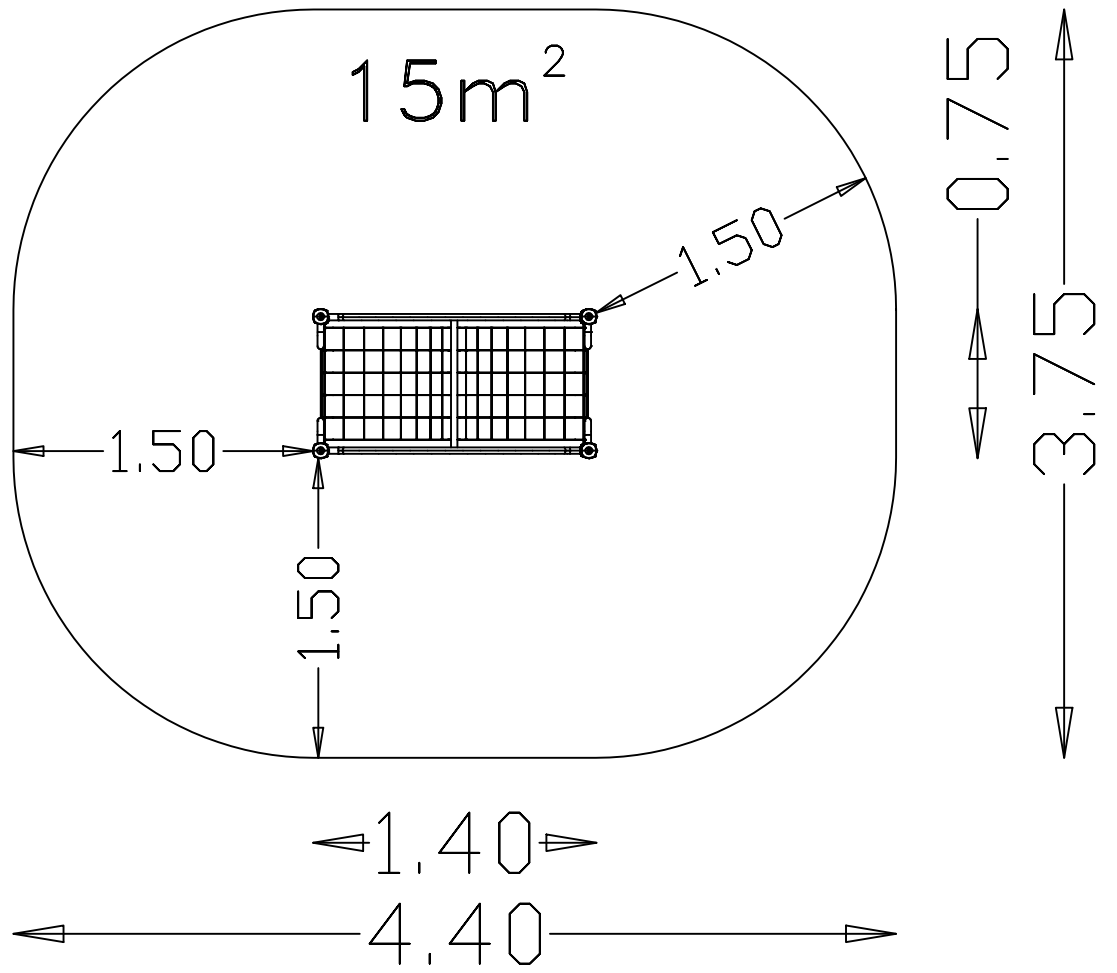
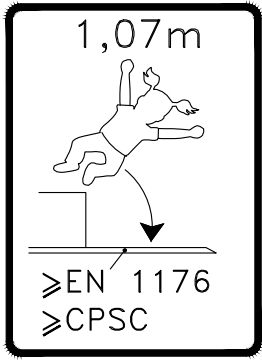
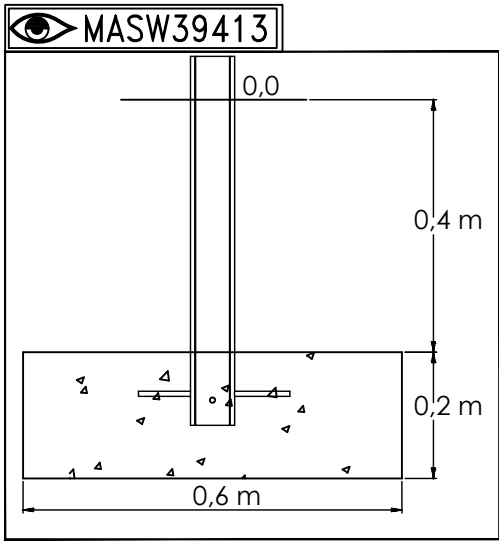




TYPE	ART.NO
 1,28 m	8013269 (2x)
 1,74x0,66 m	8013266



HAGS		ANEBY, SWEDEN	
		+46(0)380-47300	
		www.hags.com	
Climbing Bridge			
8049849			
1(1)			
	JW		JW
		2022-03-15	
		2	