
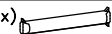




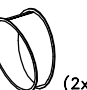
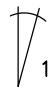

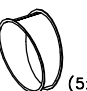
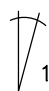

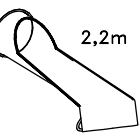
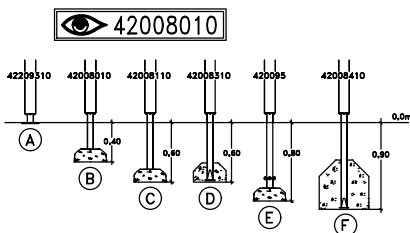
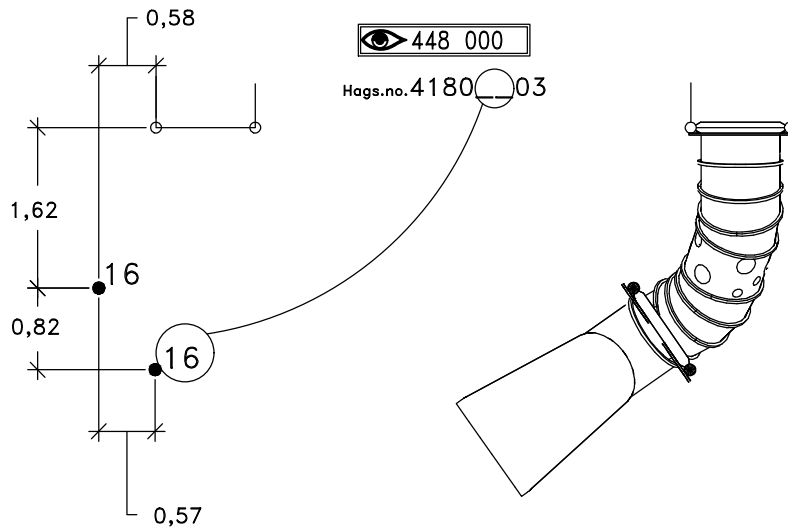


TYPE	HAGS.NO
 (2x) 1,05x0,52m	153341 153841 153851
 (3x) 0,89m	41832103
	153802
 (2x)	153837
 0,91m	416372
 (18x)	153836
 (2x)  15°	153803
 (4x)	153852
 (5x)  15°	153834
 0,58m	153828
 2,2m	153848 153858



16,0h



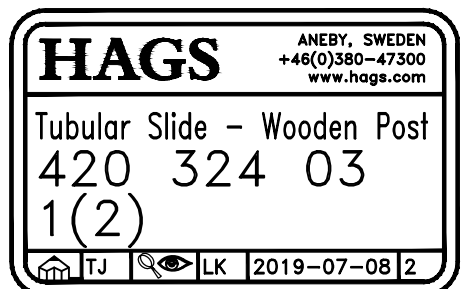
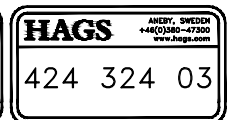
Varje vecka
Every week
Jede woche
Chaque semaine



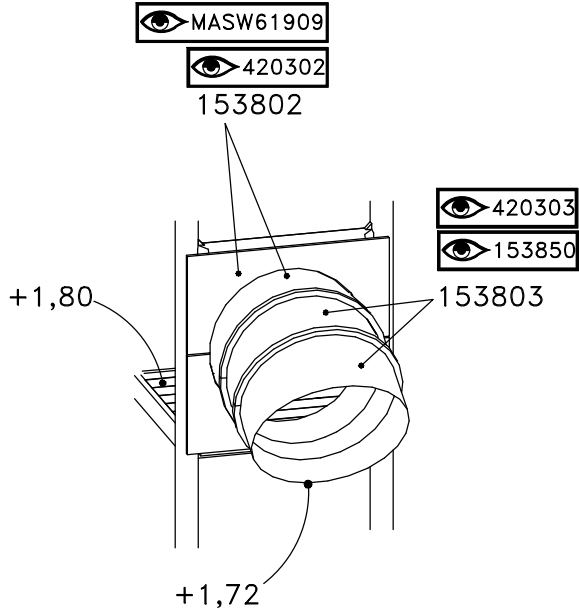
Varje säsong
Every season
Jedes Jahr
Chaque saison



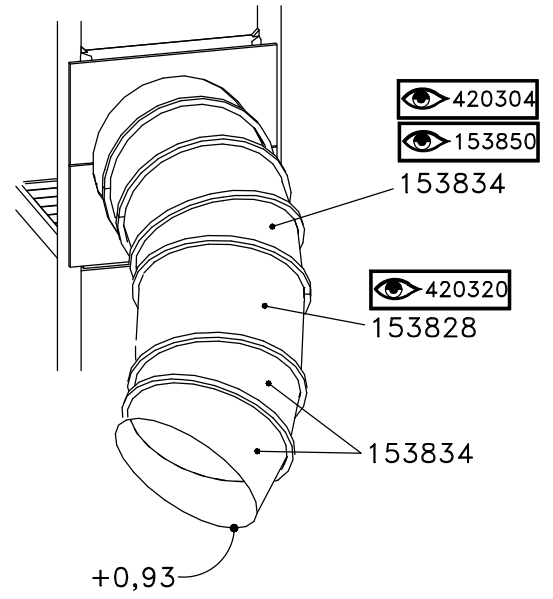
5-12



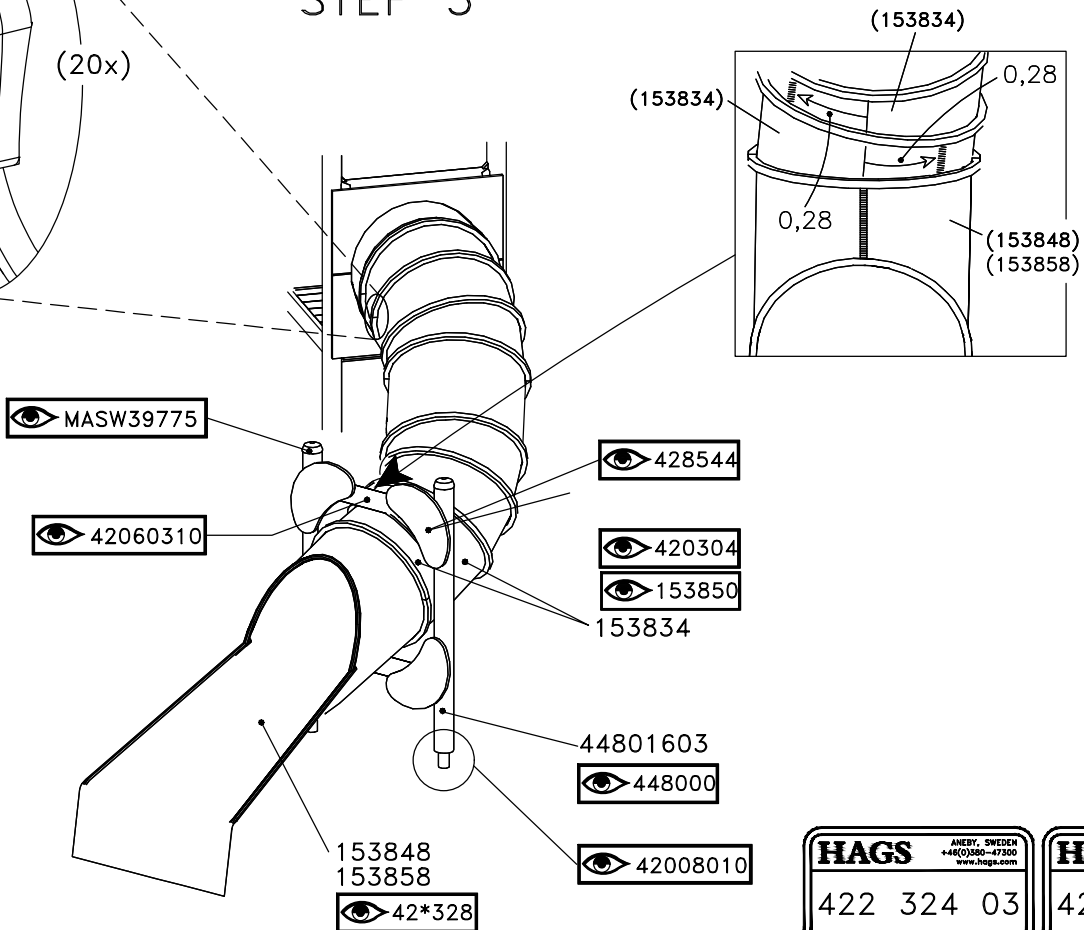
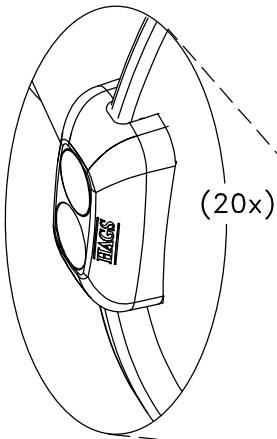
STEP 1



STEP 2



STEP 3



HAGS ANEBY, SWEDEN +46(0)380-47300 www.hags.com
422 324 03

HAGS ANEBY, SWEDEN +46(0)380-47300 www.hags.com
424 324 03

HAGS	ANEBY, SWEDEN +46(0)380-47300 www.hags.com
Tubular Slide- Wooden Post	
420 324 03	
2(2)	
🏠 TJ 🔍 👁 LK	2019-07-08 2

* = 0, 2, 4