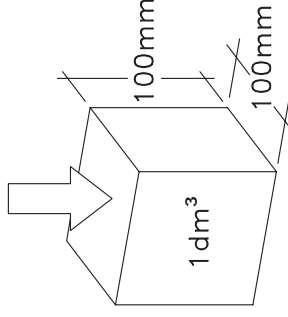


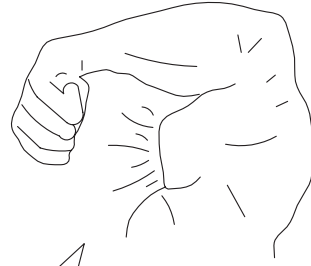
	XxXh	
S1-S3		
>C20/25		
	101	

S1-S3
(EN 206-1)

25 ton (25000 kg)



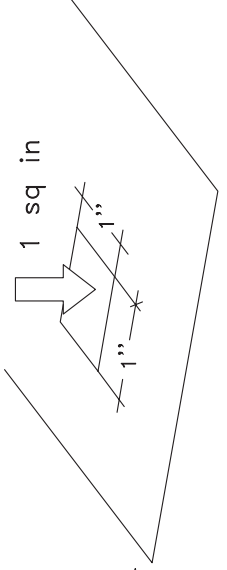
≥C20/25
(EN 206-1)



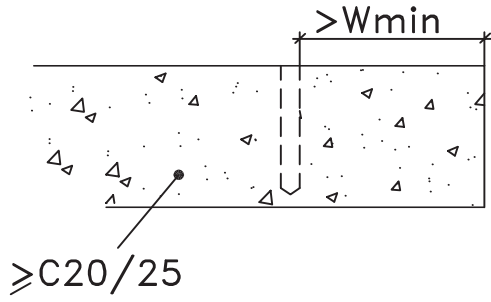
HAGS	ANEBY, SWEDEN +46(0)360-47300 www.hags.com
	Concrete quality
101	
1(1)	
	MN TJ 2008-02-08 1

2000 PSI (minimum)
3000 PSI (minimum if freezing conditions)

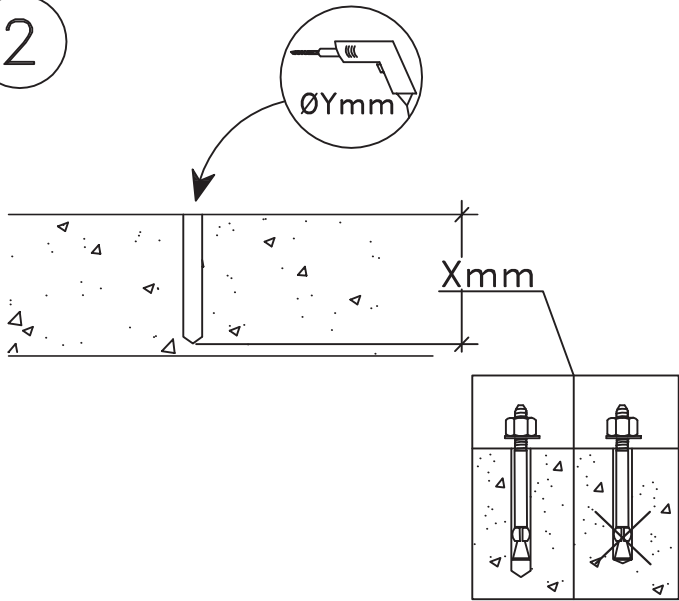
(For US/CAN market)



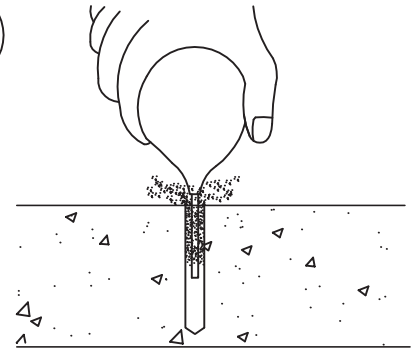
1



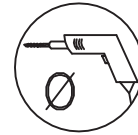
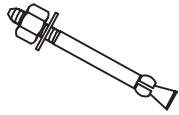
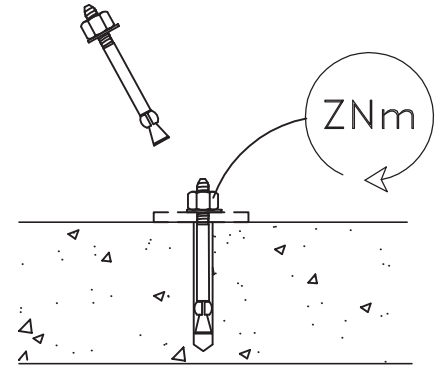
2



3



4



Dim	Art.Nr.	Wmin(mm)	ØY(mm)	Z(Nm)
M8x71	303000/8008557	80	Ø8	15
M10x86	303005/8008561	100	Ø10	30
M12x86	303001/8008559	120	Ø12	50
M12x106	303003/8019914	120	Ø12	50
M16x109	303010/8008562	160	Ø16	100
M16x150	303002/8008560	160	Ø16	100
M20x175	303011/8008563	200	Ø20	200



HAGS ANEBY, SWEDEN
+46(0)380-47300
www.hags.com

Expander
110
1(1)

TJ NN 2010-12-01 0