
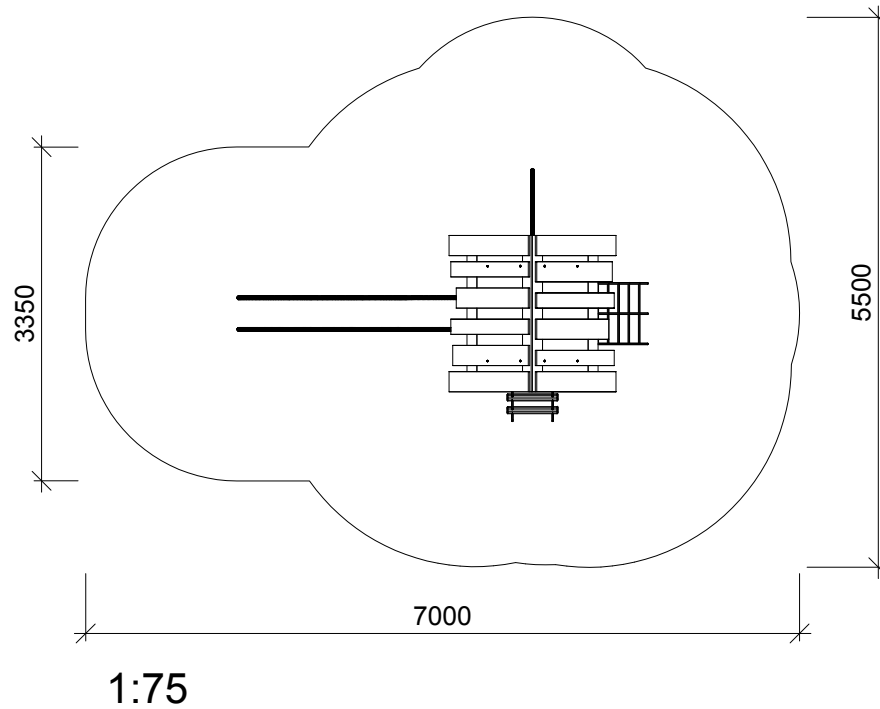
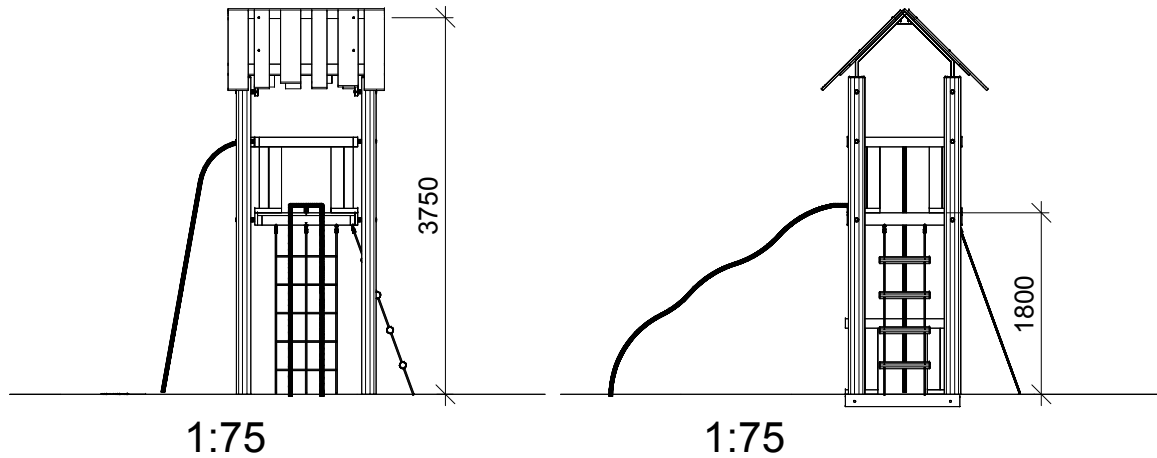
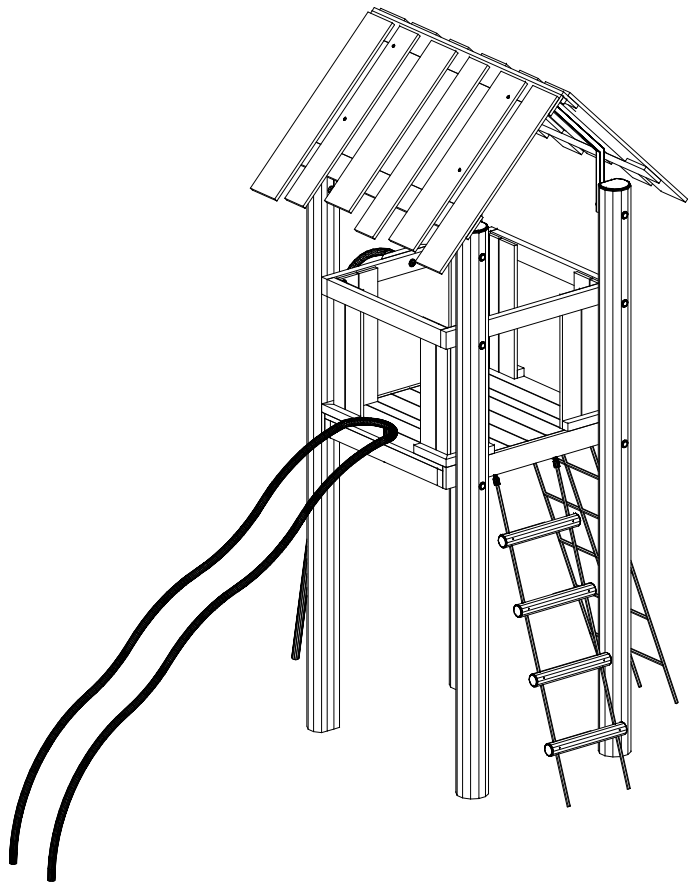


NORLEG	
Robinia tårn	
LE 20850	
16.09.2004	REV. 04.01.2016

< 1800



≥ EN 1176



This drawing is the property of NORLEG and pursuant to current legislation may not be copied, transferred to or used by any third party. Should this drawing be used, a fee of 10% of the assumed contract price will be charged.


NORLEG - 3D	
Robinia tårn	
LE 20850	
16.09.2004	REV. 04.01.2016



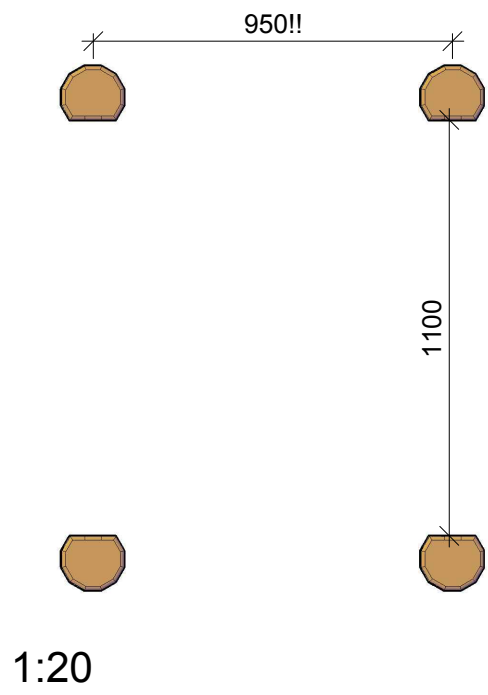
This drawing is the property of NORLEG and pursuant to current legislation may not be copied, transferred to or used by any third party. Should this drawing be used, a fee of 10% of the assumed contract price will be charged.

NORLEG - Mont.	
Robinia tårn	
LE 20850	
16.09.2004	REV. 04.01.2016

< 1800




≥ EN 1176



NORLEG - Mont.	
Robinia tårn	
LE 20850	
16.09.2004	REV. 04.01.2016

< 1800

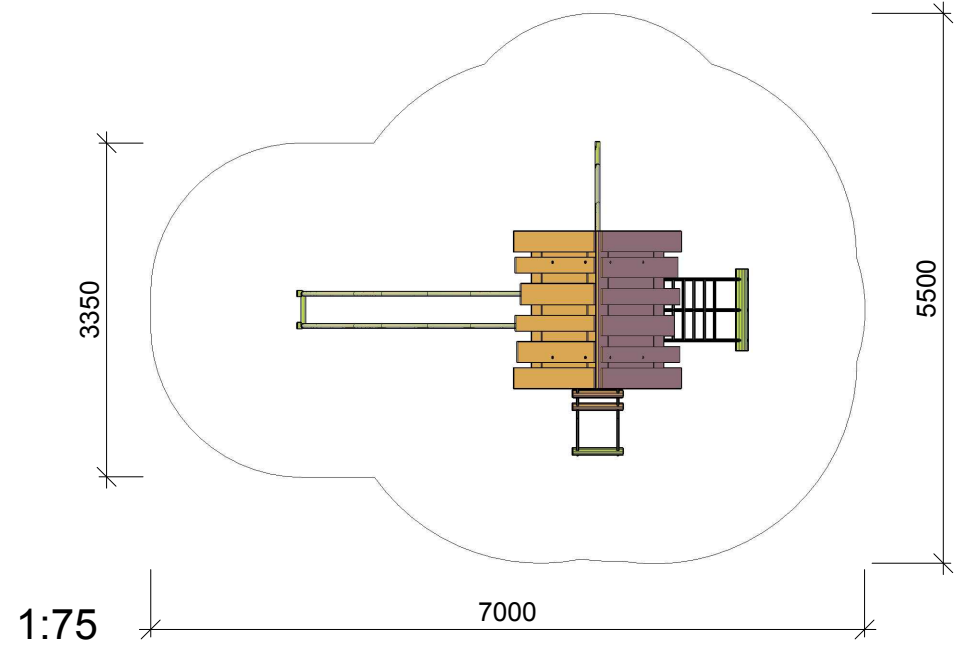
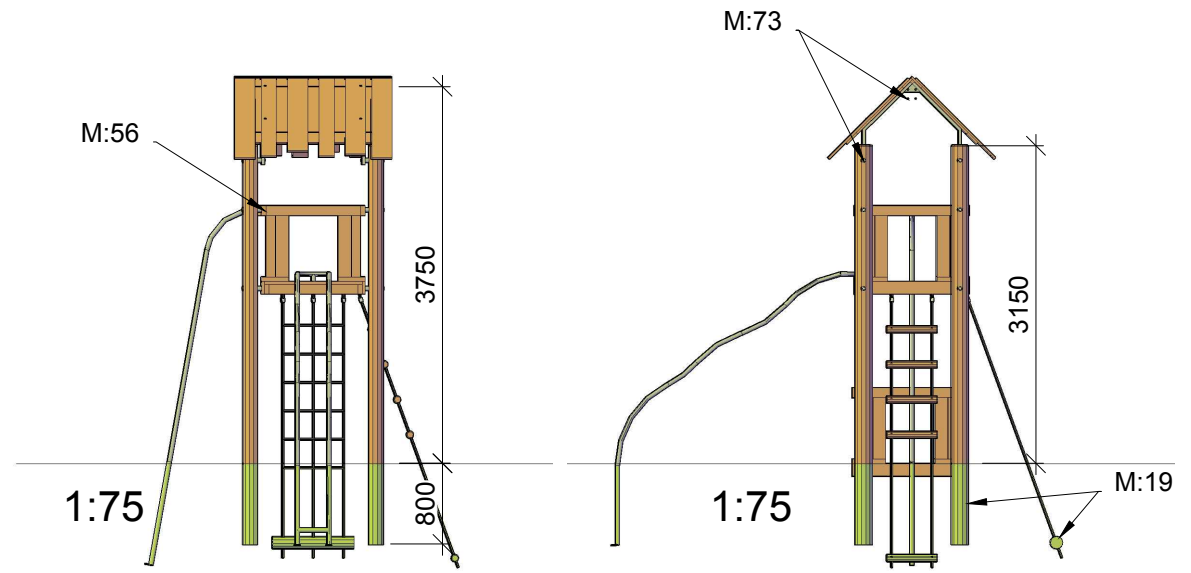
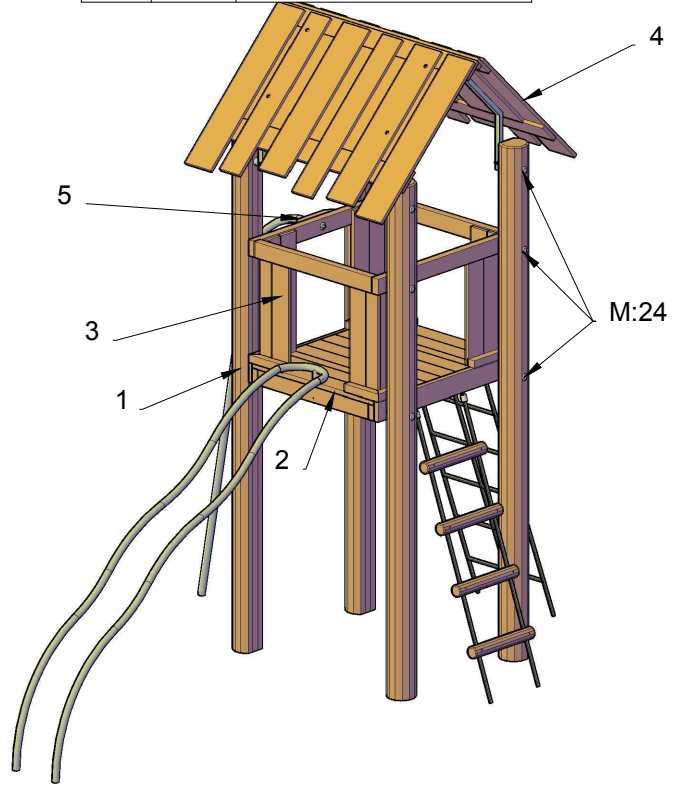


≥ EN 1176

Mont.p. nr.

- 19
- 24
- 56
- 73

Parts list		
Mrk.	QTY	Part.no
1	4	160-180-3950
2	1	M 20002
3	4	M 20003
4	2	M 20007
5	1	45x95x300



This drawing is the property of NORLEG and pursuant to current legislation may not be copied, transferred to or used by any third party. Should this drawing be used, a fee of 10% of the assumed contract price will be charged.

NORLEG - Mont.	
Robinia tårn	
LE 20850	
16.09.2004	REV. 04.01.2016

< 1800

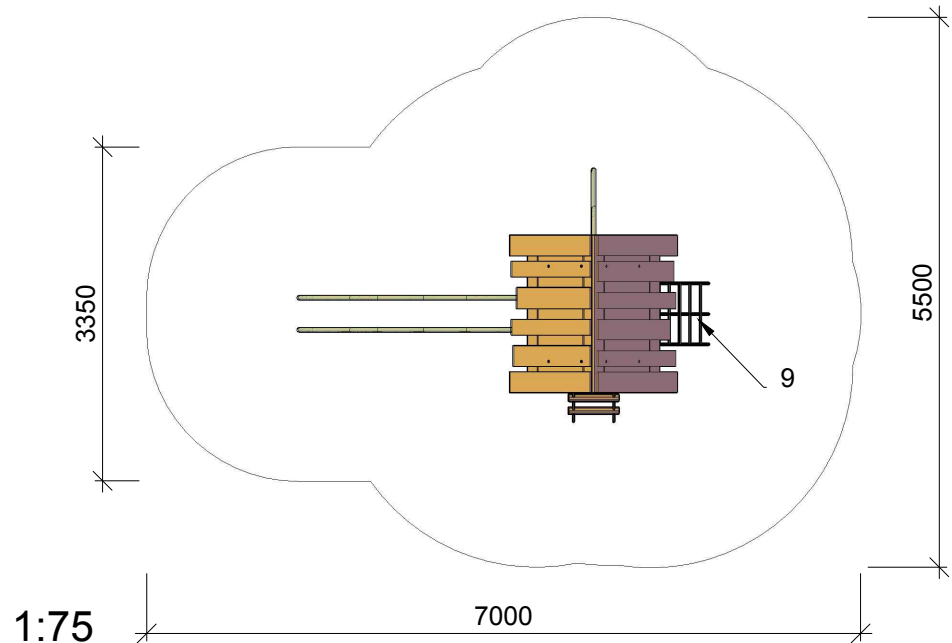
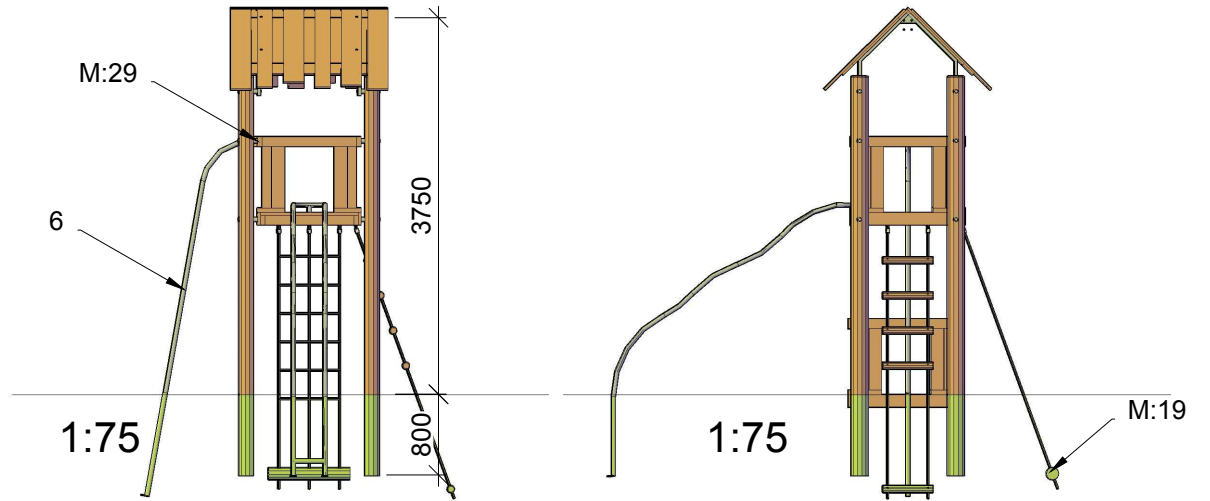
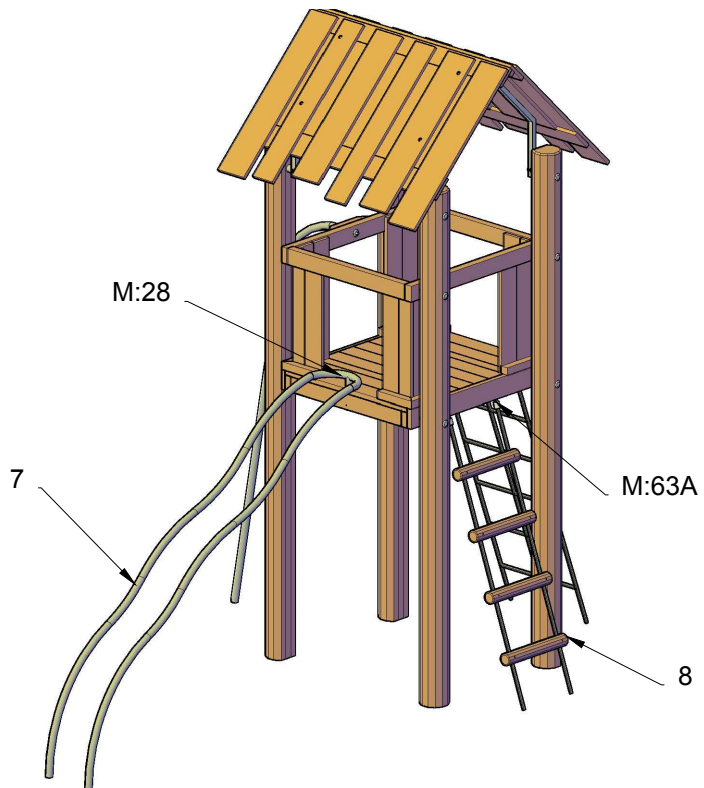


≥ EN 1176

Mont.p. nr.

19
28
29
63A

Parts list		
Mrk.	QTY	Part.no
6	1	LE 20370
7	1	LE 20372
8	1	LE 20365
9	1	LE 20362



This drawing is the property of NORLEG and pursuant to current legislation may not be copied, transferred to or used by any third party. Should this drawing be used, a fee of 10% of the assumed contract price will be charged.