

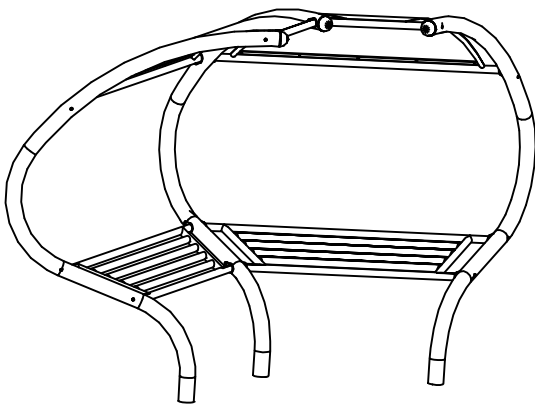
HAGS

ARENA MEETING POINT

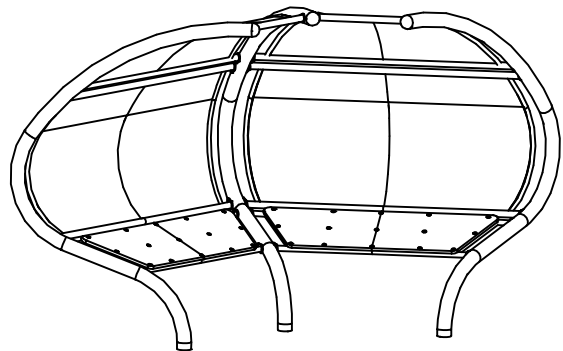
MPSEATS1-5

MPSEATP1-5

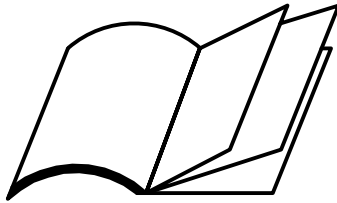
MPBACK

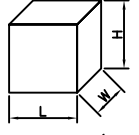
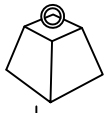

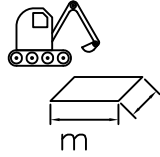



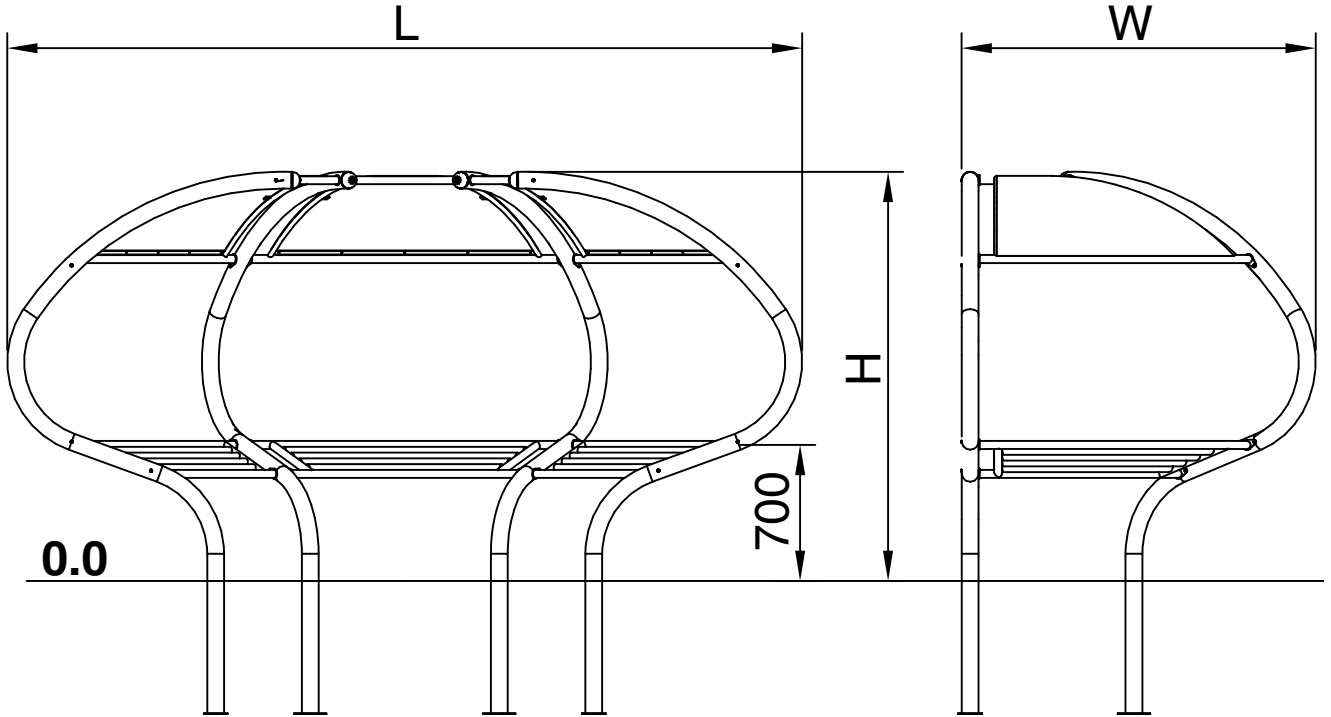
MPSEATS2



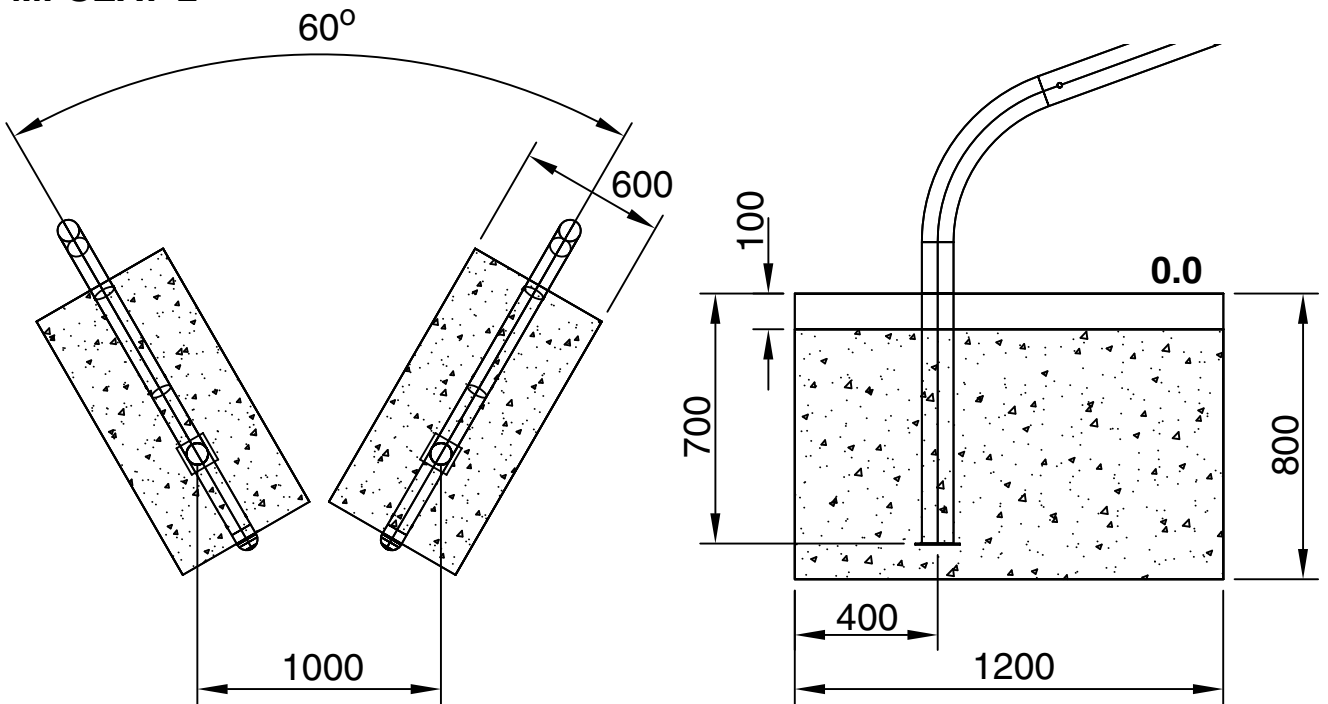
MPSEATP2 & MPBACK x 2

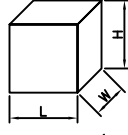
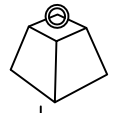

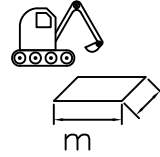



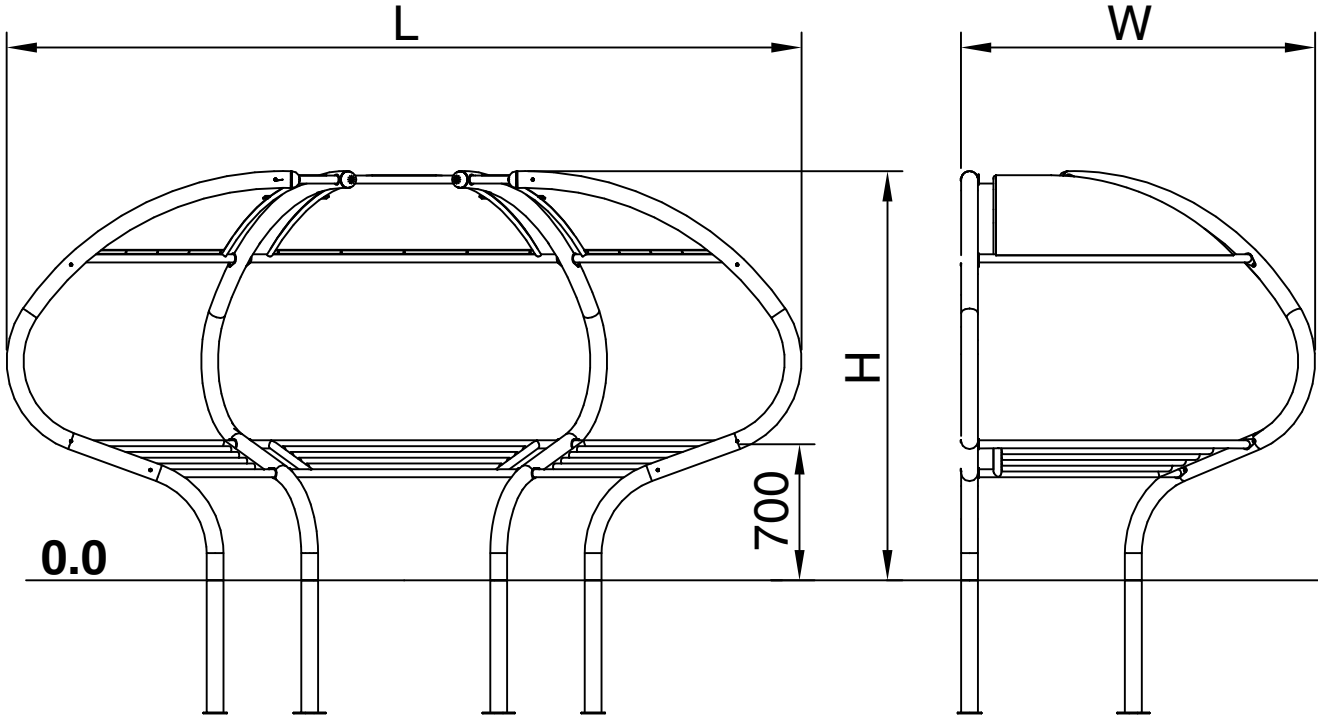
	 LxWxH (m)	 kg	 m ³	 m	 x 2=T
MPSEAT*1	2.15 x 1.36 x 2.16	153.00	1.01	4.0 x 3.0	T=4h
MPSEAT*2	3.65 x 1.85 x 2.16	265.00	1.51	5.5 x 3.5	T=4.5h



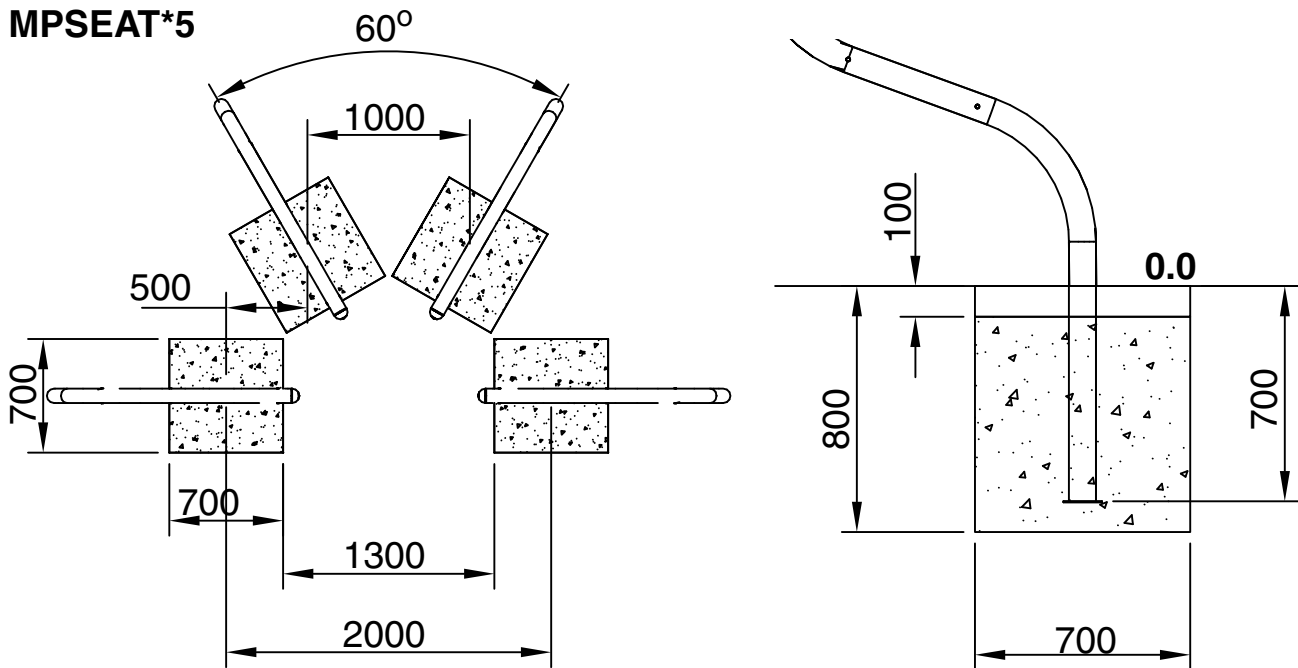
MPSEAT*1
MPSEAT*2



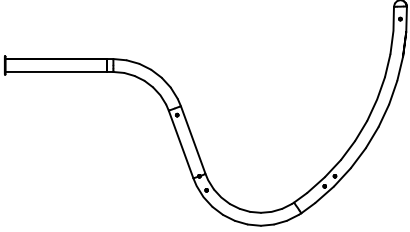
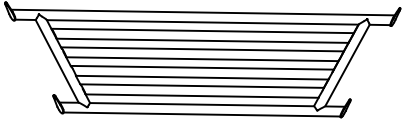
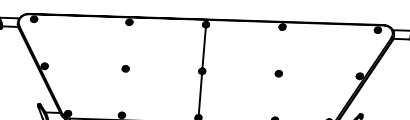
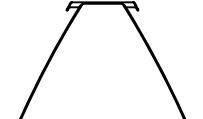
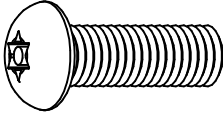
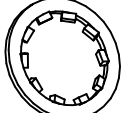

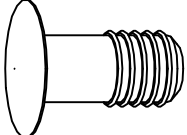
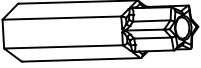
	 LxWxH (m)	 kg	 m ³	 m	 x 3=T
MPSEAT*3	4.20 x 1.87 x 2.16	377.00	1.37	6.0 x 3.5	T=5h
MPSEAT*4	3.65 x 3.18 x 2.16	490.00	1.72	5.5 x 4.5	T=5.5h
MPSEAT*5	4.21 x 3.65 x 2.16	602.00	2.06	6.0 x 5.0	T=6h

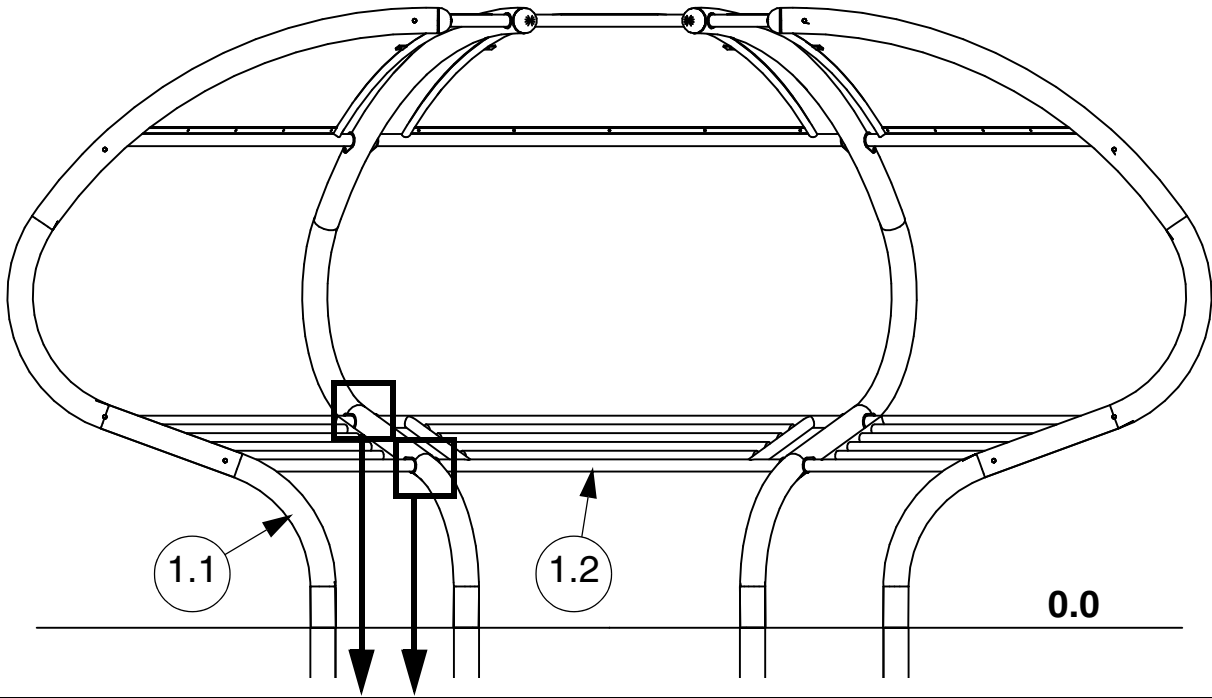


MPSEAT*3
MPSEAT*4
MPSEAT*5

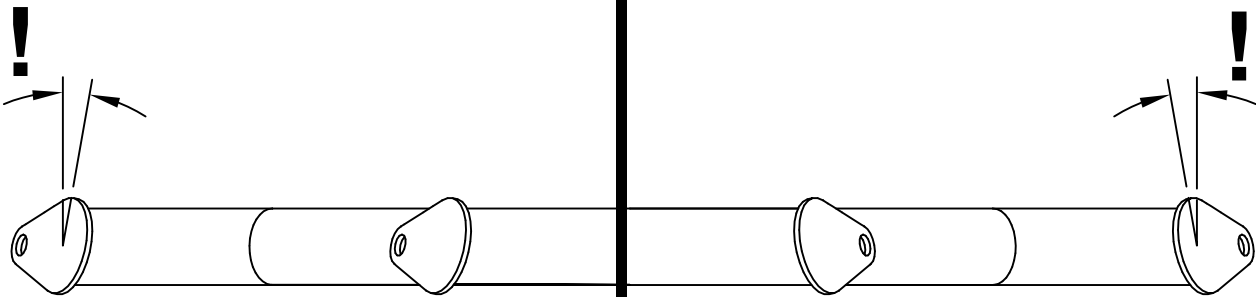
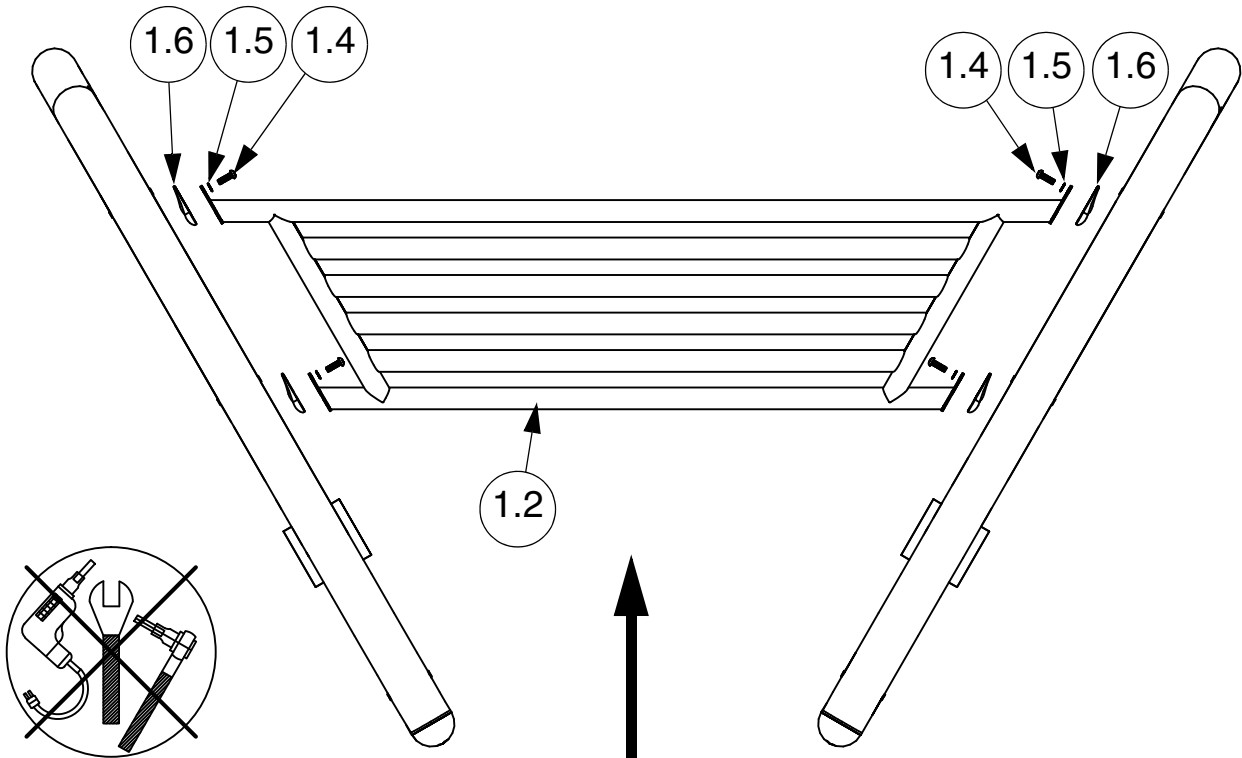


1 PARTS LIST

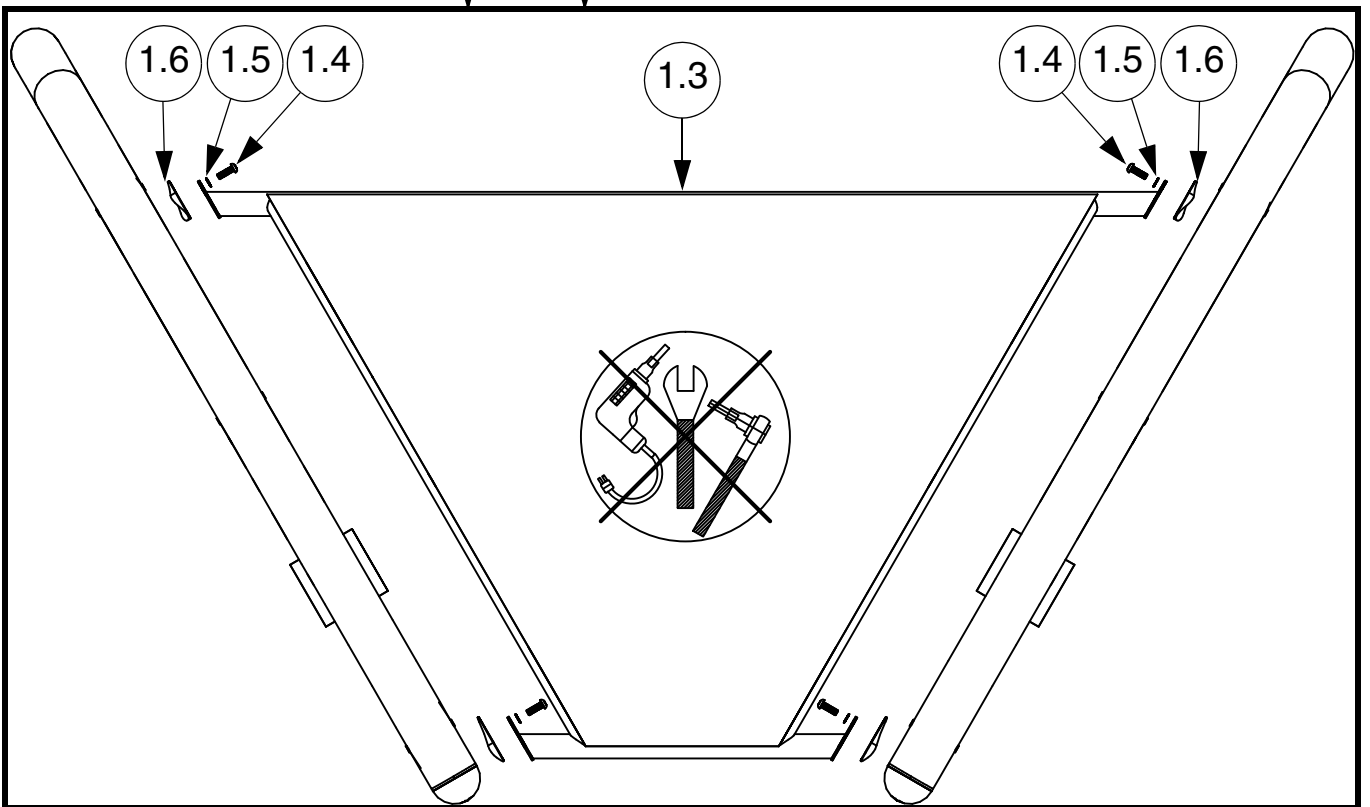
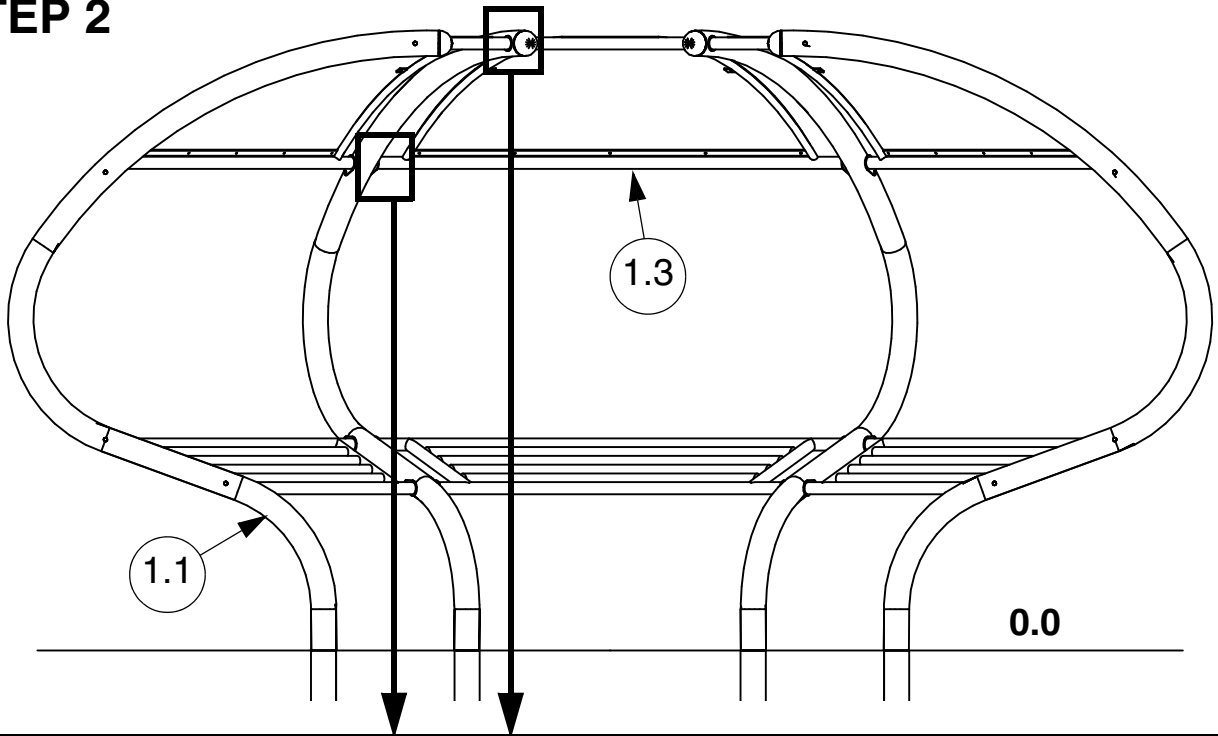
ITEM	REF		QTY										kg
			MPSEATS1	MPSEATP1	MPSEATS2	MPSEATP2	MPSEATS3	MPSEATP3	MPSEATS4	MPSEATP4	MPSEATS5	MPSEATP5	
1.1	26000101		2		3		4		5		6		40.00
1.2	26000501		1		2		3		4		5		25.00
	26000800			1		2		3		4		5	22.00
1.3	26000301		1		2		3		4		5		25.00
1.4	10121030	 M10 X 30	8		16		24		32		40		0.028
1.5	10301000	 M10 12X18X1	8		16		24		32		40		0.002
1.6	19025501		8		16		24		32		40		0.018
1.7	19024501		16		20		24		28		32		0.001
1.8	10121000	 T45 M10					3						0.001



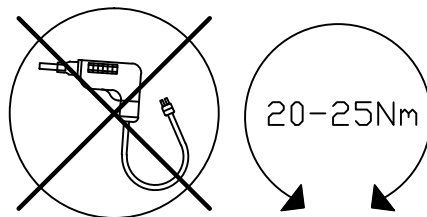
STEP 1



STEP 2

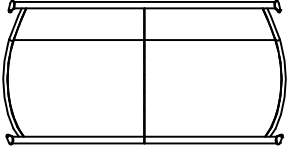
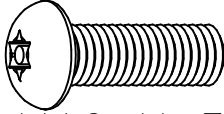
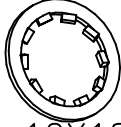
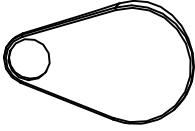


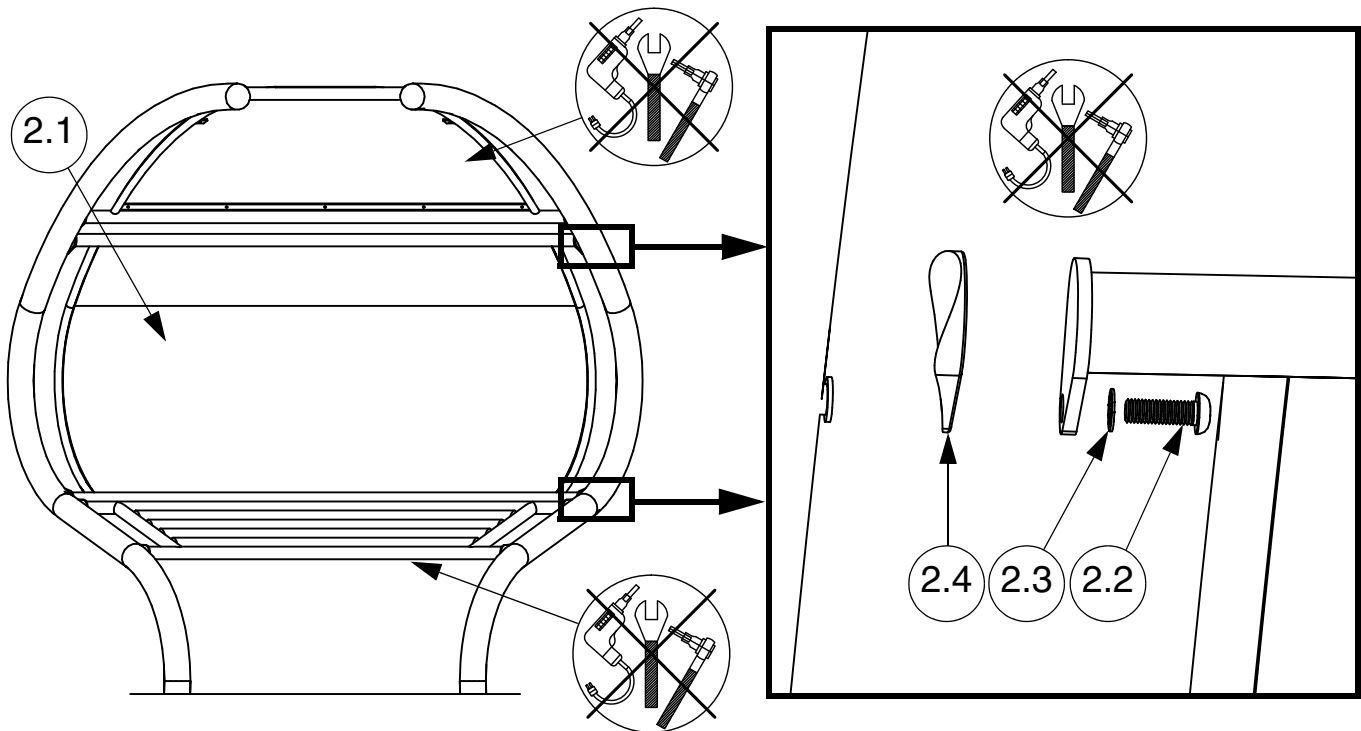
STEP 3

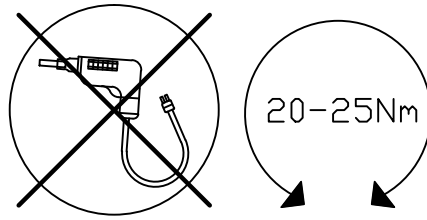


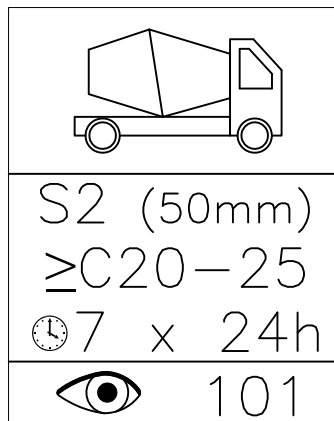
STEP 4

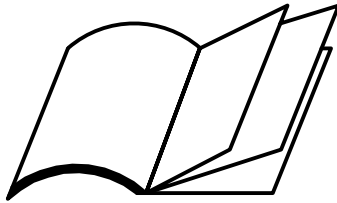
2 MPBACK

ITEM	REF		QTY										kg
			MPSEATS1	MPSEATP1	MPSEATS2	MPSEATP2	MPSEATS3	MPSEATP3	MPSEATS4	MPSEATP4	MPSEATS5	MPSEATP5	
2.1	26000701		1		2		3		4		5	35.00	
2.2	10121030	 M10 X 30	4		8		12		16		20	0.028	
2.3	10301000	 M10 12X18X1	4		8		12		16		20	0.002	
2.4	19025501		4		8		12		16		20	0.018	

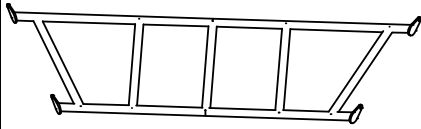
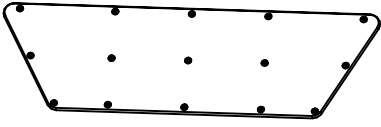
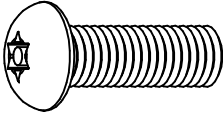
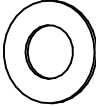


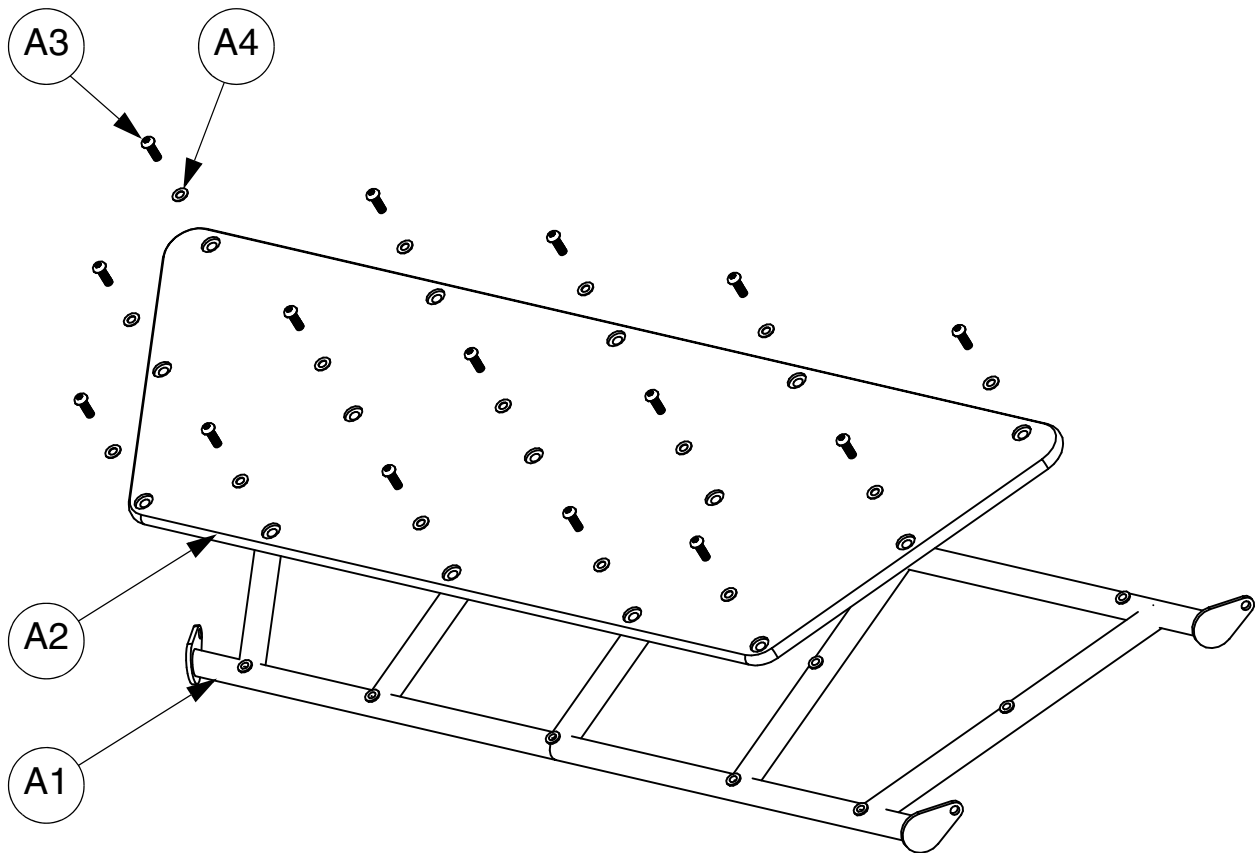
STEP 5

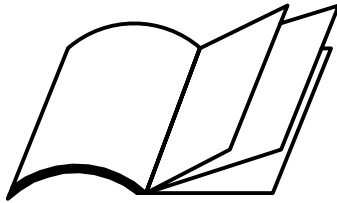
STEP 6



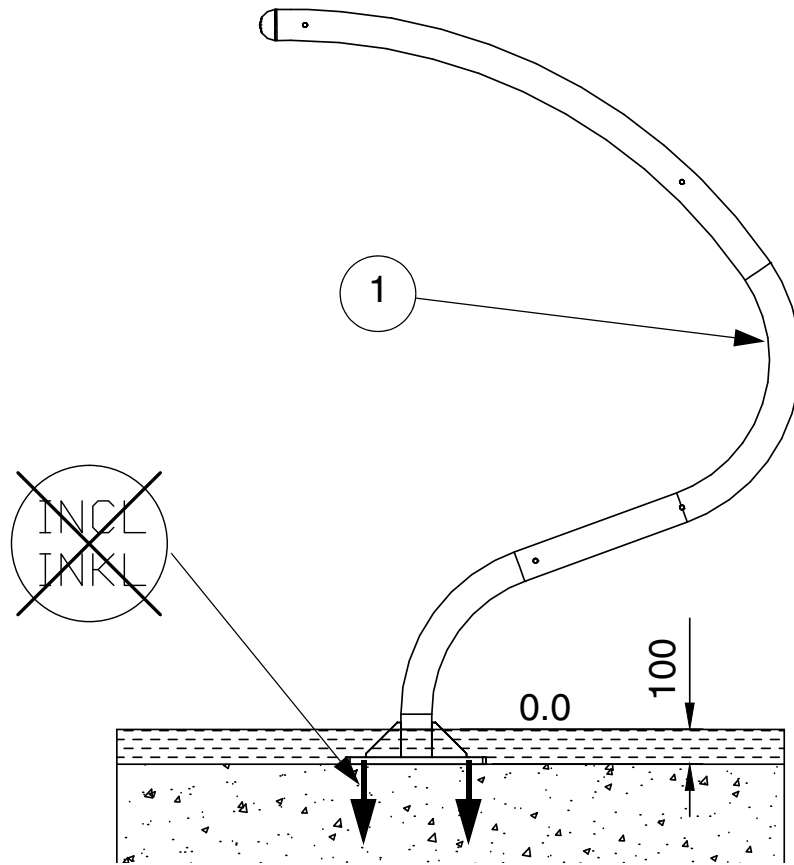
Appendix A: 26000800

ITEM	REF	26000800	QTY					k.g.
			MPSEATP1	MPSEATP2	MPSEATP3	MPSEATP4	MPSEATP5	
A1	26000801		1	2	3	4	5	6.50
A2	26000803		1	2	3	4	5	3.50
A3	10121030	 M10 X 30	15	30	45	60	75	0.037
A4	10291000	 M10 11X21X1	15	30	45	60	75	0.002





Appendix B: MPSEAT*1D,MPSEAT*2D,MPSEAT*3D,MPSEAT*4D & MPSEAT*5D



ITEM	REF		QTY								k.g.	
			MPSEATS1D	MPSEATP1D	MPSEATS2D	MPSEATP2D	MPSEATS3D	MPSEATP3D	MPSEATS4D	MPSEATP4D		MPSEATS5D
1	26001101		2	3	4	5	6					54.50

