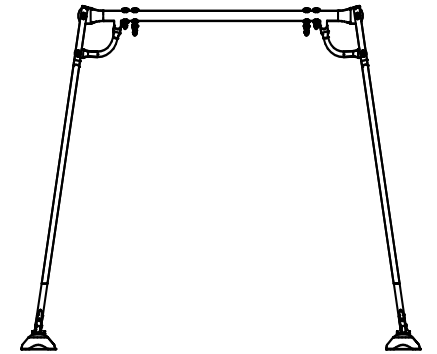



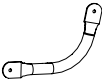

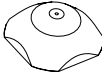

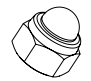






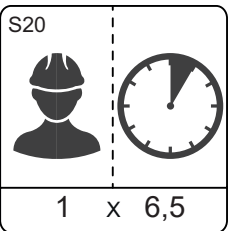
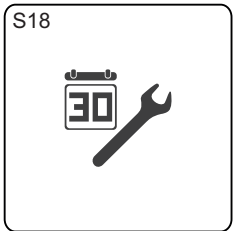
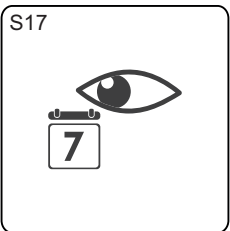
SF

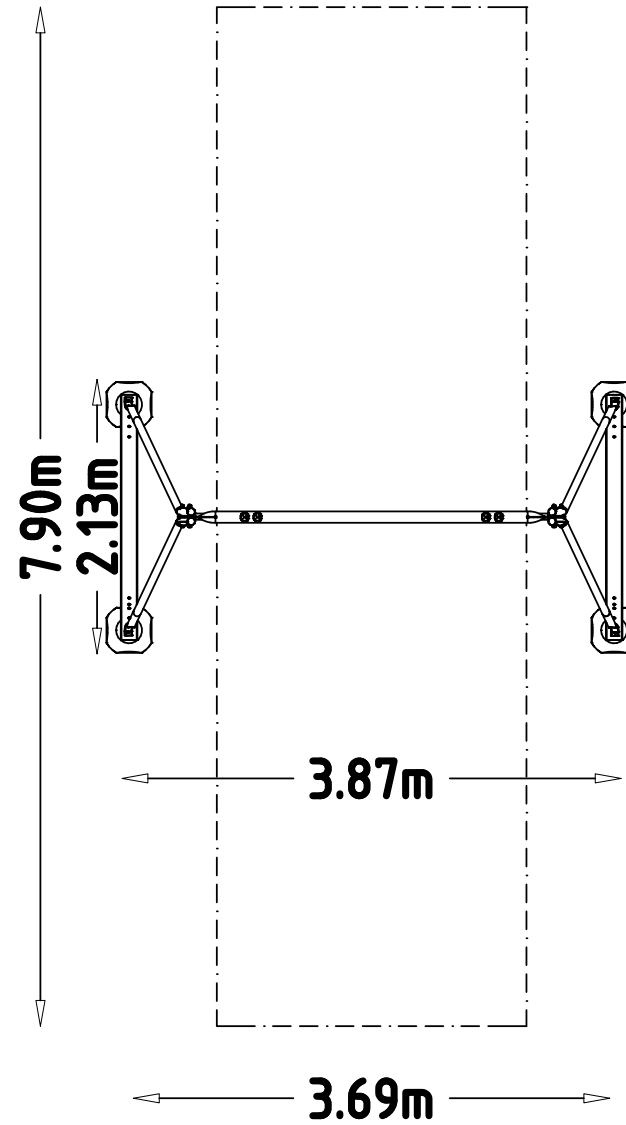
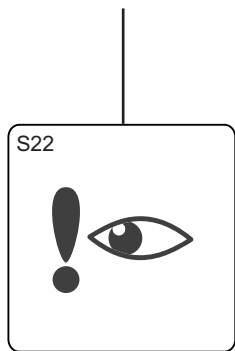
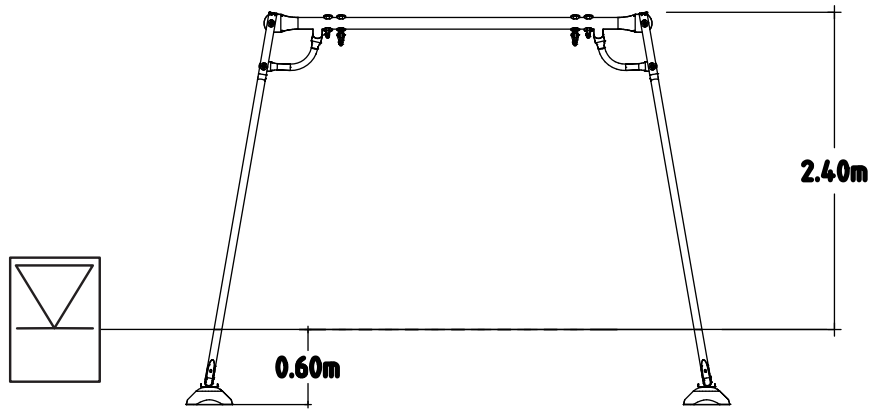


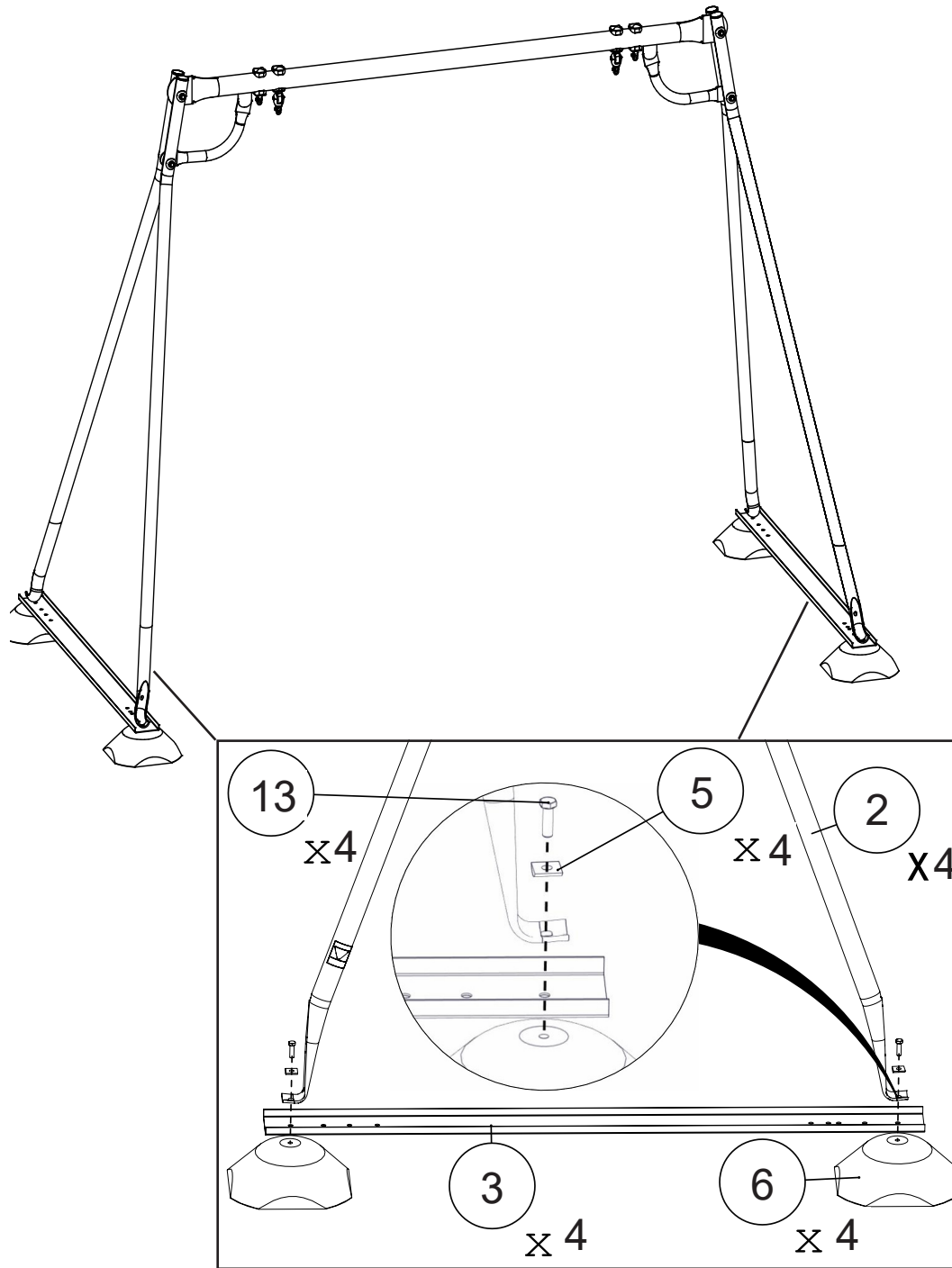
1	SW80894		1x L=3257	34.48kg
2	SW56688		4x L=2870	12.75kg
3	33-03891		2x 1900x127 mm	6.25kg
4	33-03264		2x 460x300 mm	2.20kg
5	43-06052		3x S4B M12, 34x34x10mm	0.07kg
6	31-01835		3x 350x350x130 mm	18.1kg
7	43-03994		10x Ø52x5 mm	0.08kg
8	8008755		4x DIN986-M12-8	0.024kg
9	8042811		2x ISO7042-M12-8	0.018kg
10	8008834		10x Ø12,5x30x3 mm	0.01kg
11	SW15632		4x Ø60x27 mm	0.02kg
12	8008427		4x ISO4014-M12x160-8.8	0.1550kg

12	8008411		2x ISO4017-M12x30-8.8	0.0429kg
----	---------	--	-----------------------	----------

13	8008414		4x ISO4017-M12x40-8.8	0.0518kg
----	---------	---	-----------------------	----------



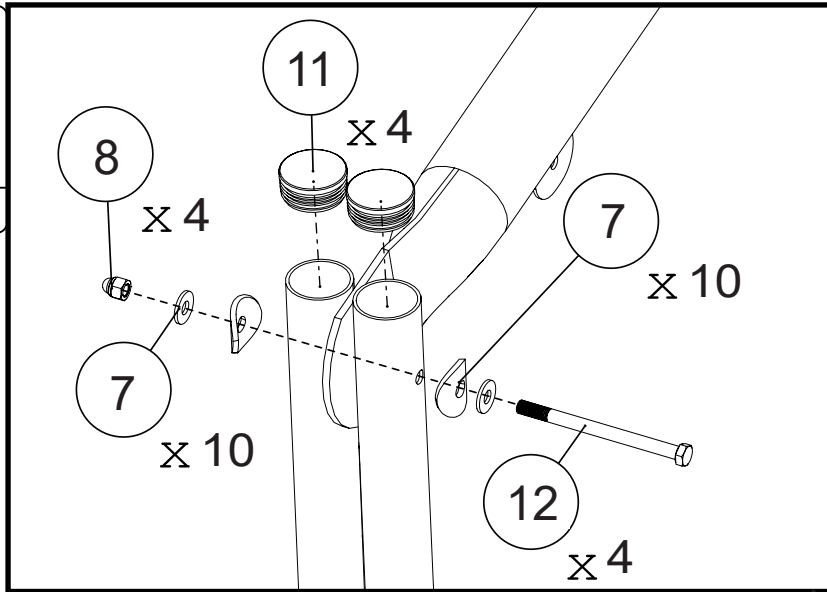




S11



Nm
81nM



S11



Nm
81nM

