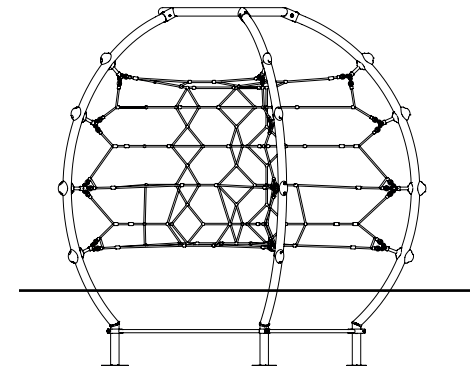




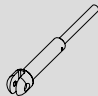


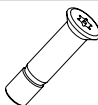









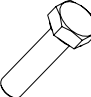


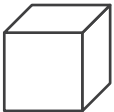


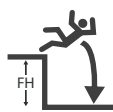

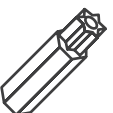
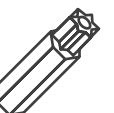


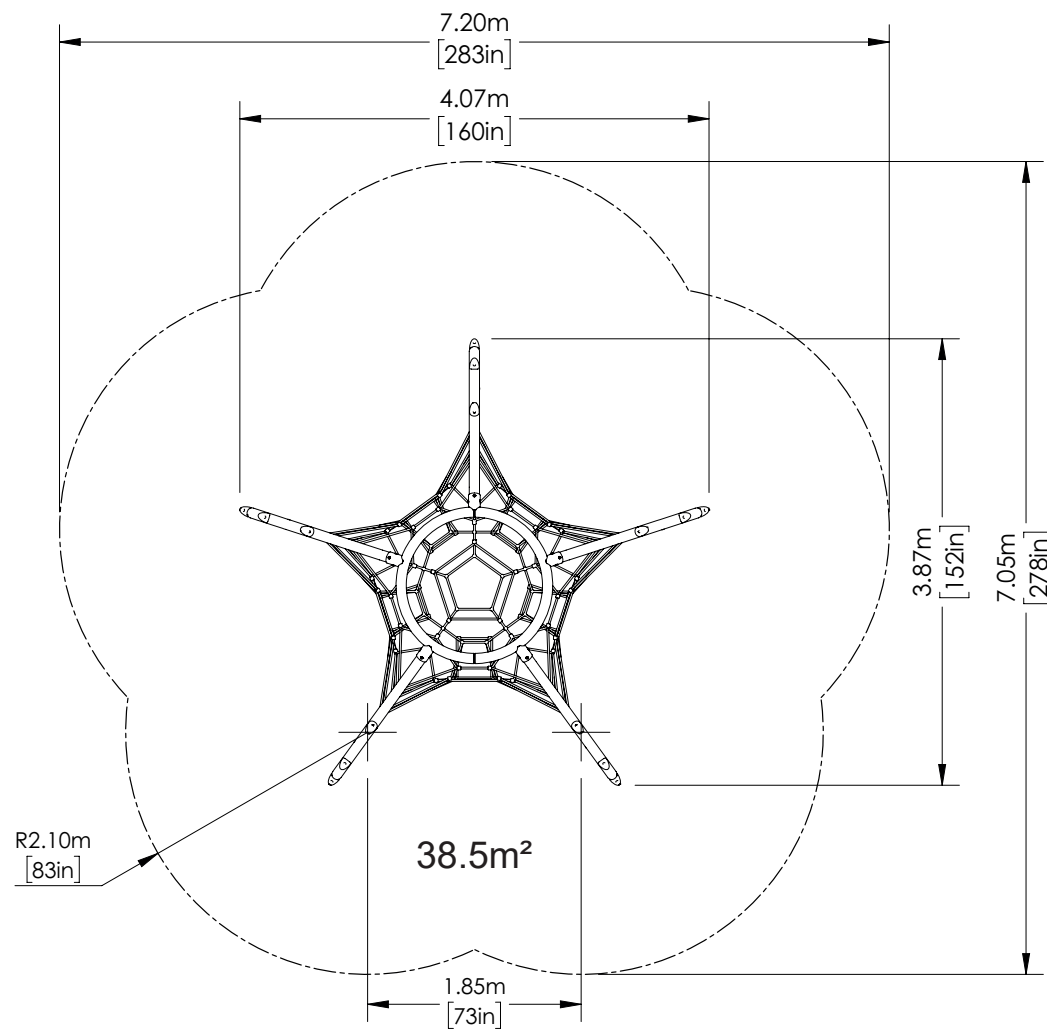
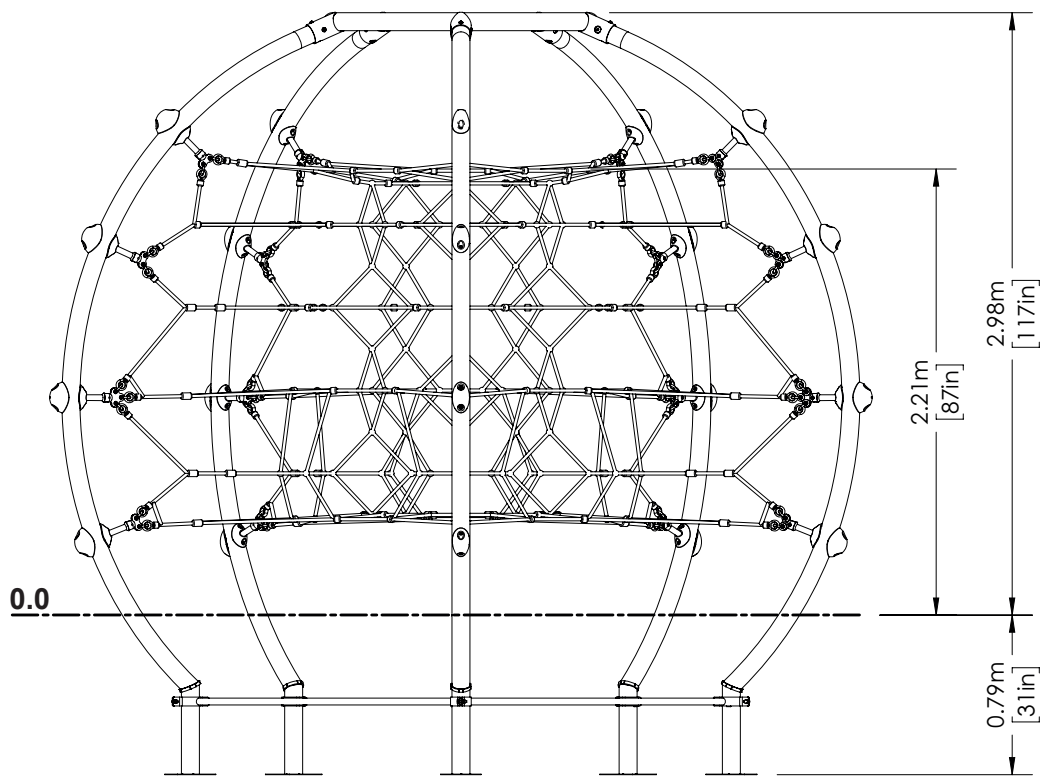
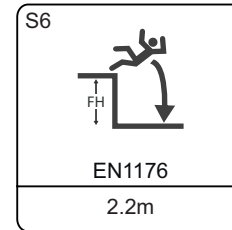
BM



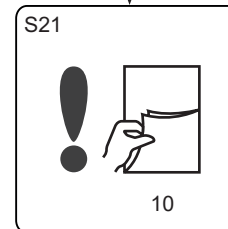
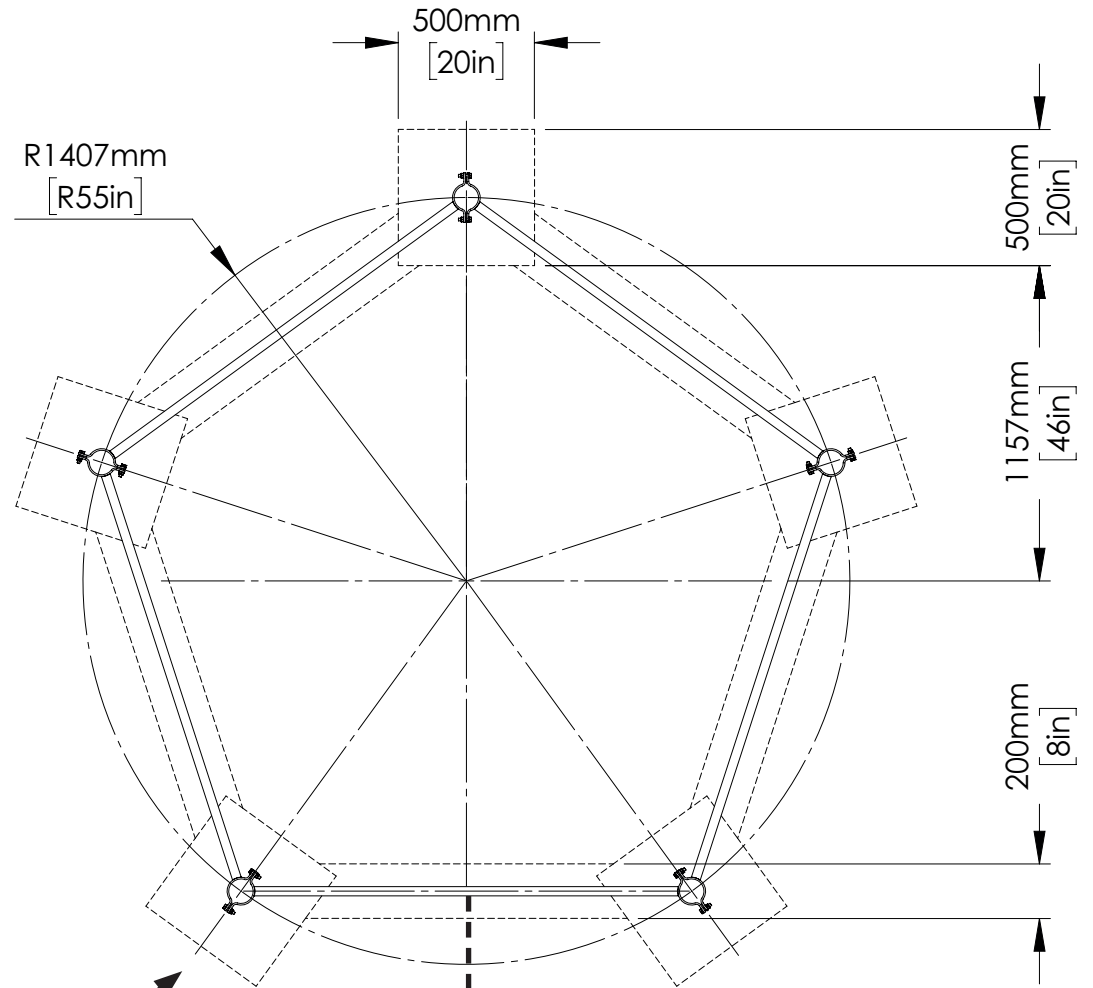
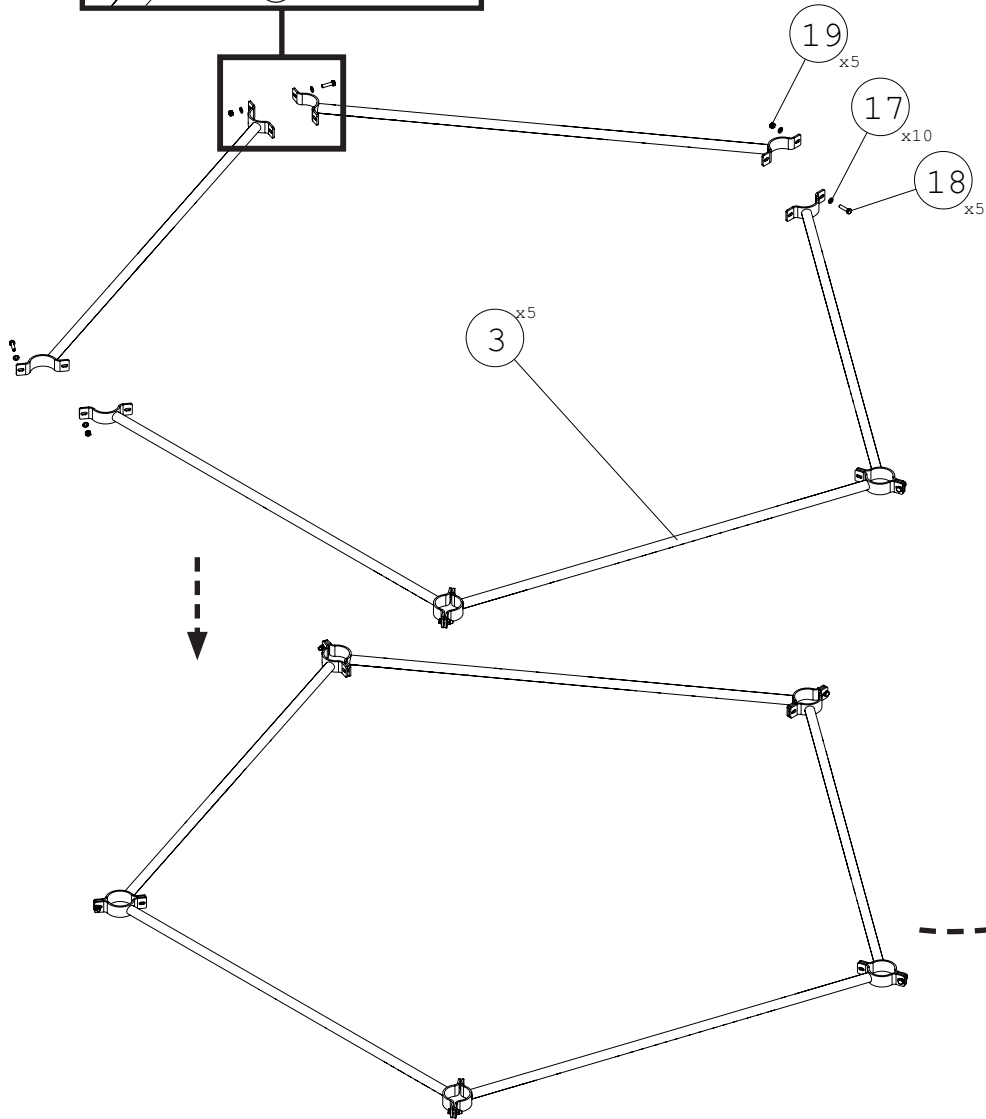
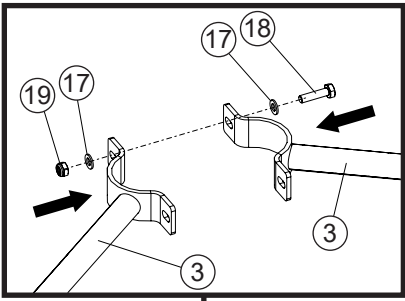
1	78703011		5x 3737 x 1398 x 200mm	48.24kg
2	78703002		1x 1535 x 1480 x 153mm	48.78kg
3	78703013		5x 1756 x 151 x 44mm	4.61kg
4	78704016		20x 126 x 79 x 64mm	0.13kg
5	78701005		20x M16_Ø45 x 321mm	1.23kg
6	78704018		20x 152 x 85 x 78mm	0.20kg
7	78705001		1x Ø16 x 3527 x 3357 x 1866mm	75.00kg
8	78704015		20x M10x40_A2_TX-45	0.03kg
9	10290600		80x M6_C_Ø6.4 x Ø12.6 x 1_A2	0.001kg
10	8027762		80x M6x25-8.8-(ISO7380)	0.006kg
11	10391600		40x M16_C_Ø17 x Ø50 x 4_8.8	0.05kg
12	78704013		20x M16_Ø17 x 50 x 2_PTFE	0.008kg

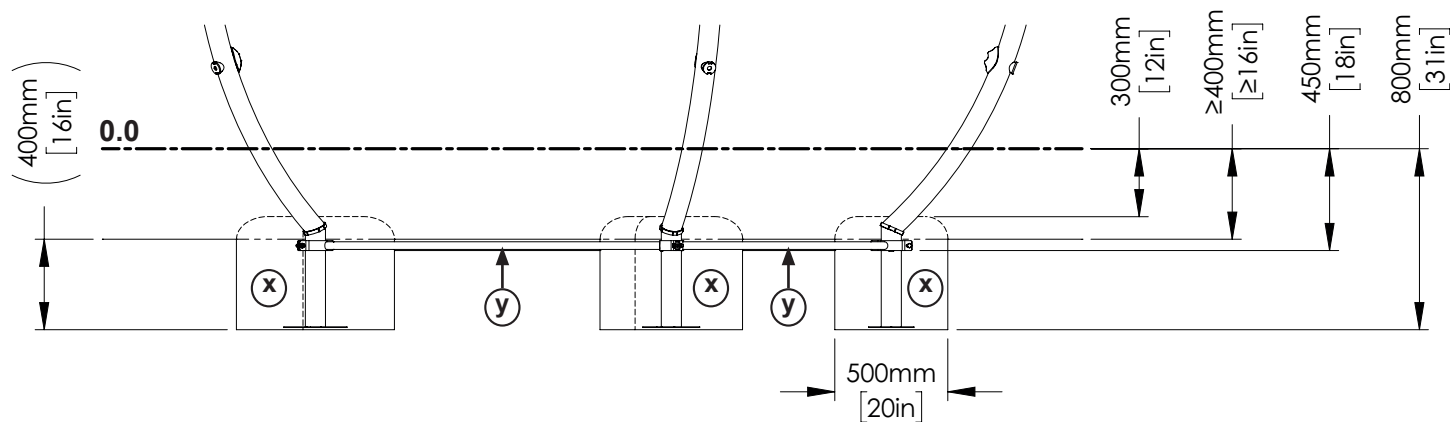
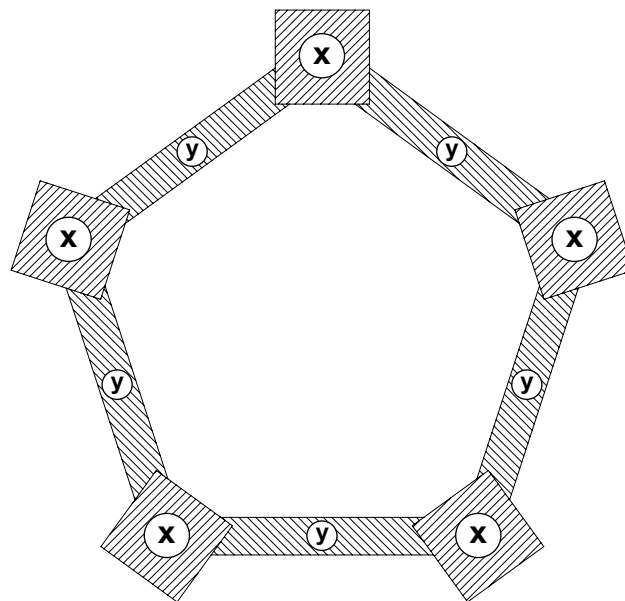
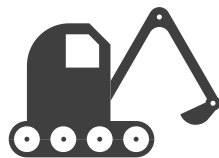
13	10271600		40x M16_8.8	0.03kg
14	10291000		10x M10_B_Ø11 x Ø21 x 1_A2	0.002kg
15	10121080		10x M10x80_A2_TX45	0.06kg
16	10301005		10x M10x40_A2	0.05kg
17	10381000		20x 10_A_Ø10.5 x Ø20 x 2_8.8	0.004kg
18	10231040		10x M10x40_8.8	0.04kg
19	10321000		10x M10_8.8	0.01kg

<p>S12</p>  <p>kg</p> <p>425kg</p>	<p>S15</p>  <p>L x W x H (m)</p> <p>4.1 x 3.9 x 3.8</p>	<p>S13</p>  <p>m³</p> <p>0.6m³</p>	<p>S14</p>  <p>m²</p> <p>8.0 x 8.0</p>
<p>S6</p>  <p>EN1176</p> <p>2.2m</p>	<p>S20</p>  <p>3 X 8</p>	<p>S24</p>  <p>10121000 (TX45 / M10)</p>	<p>S24</p>  <p>10120600 (TX30 / M6)</p>

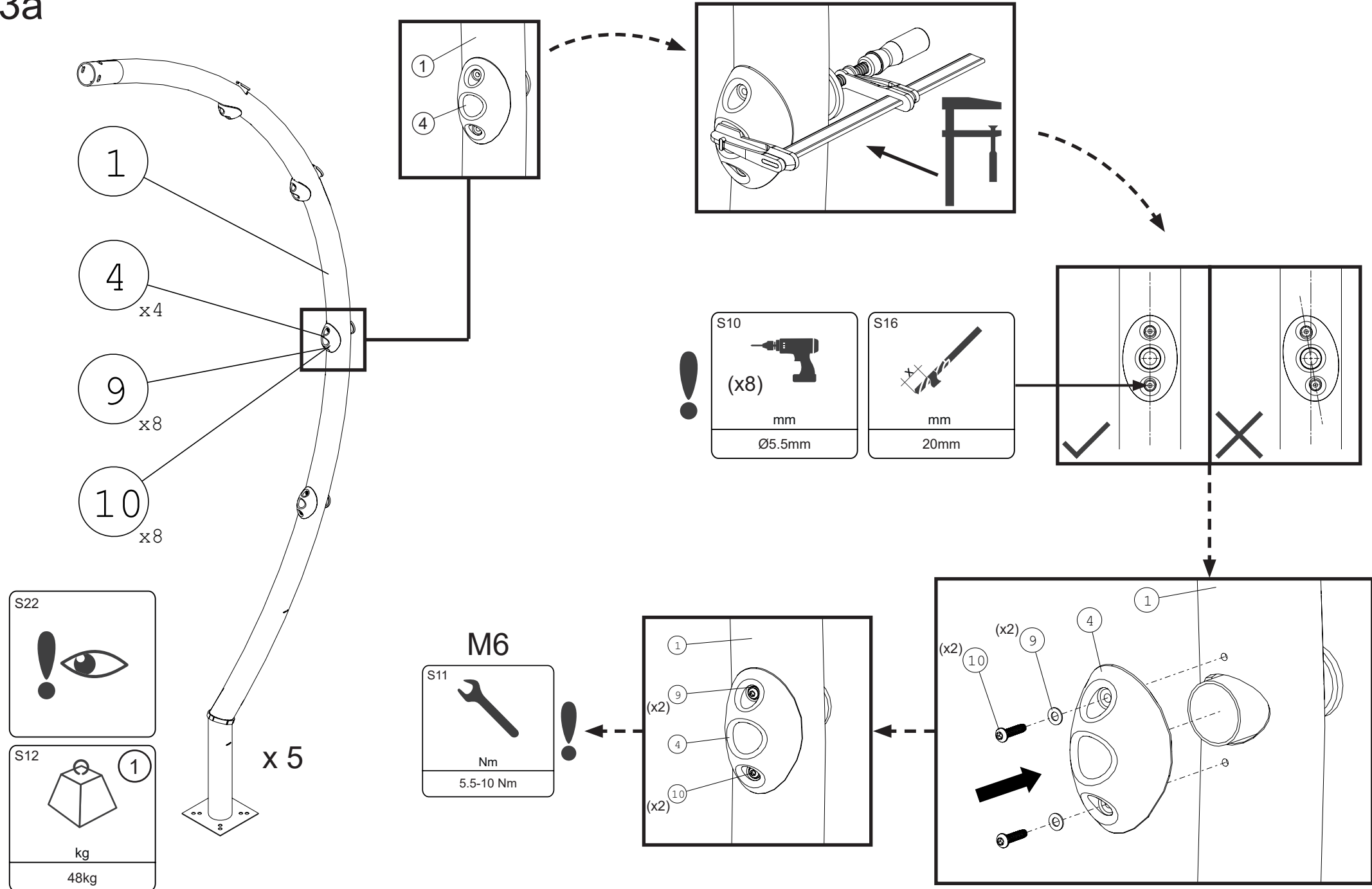


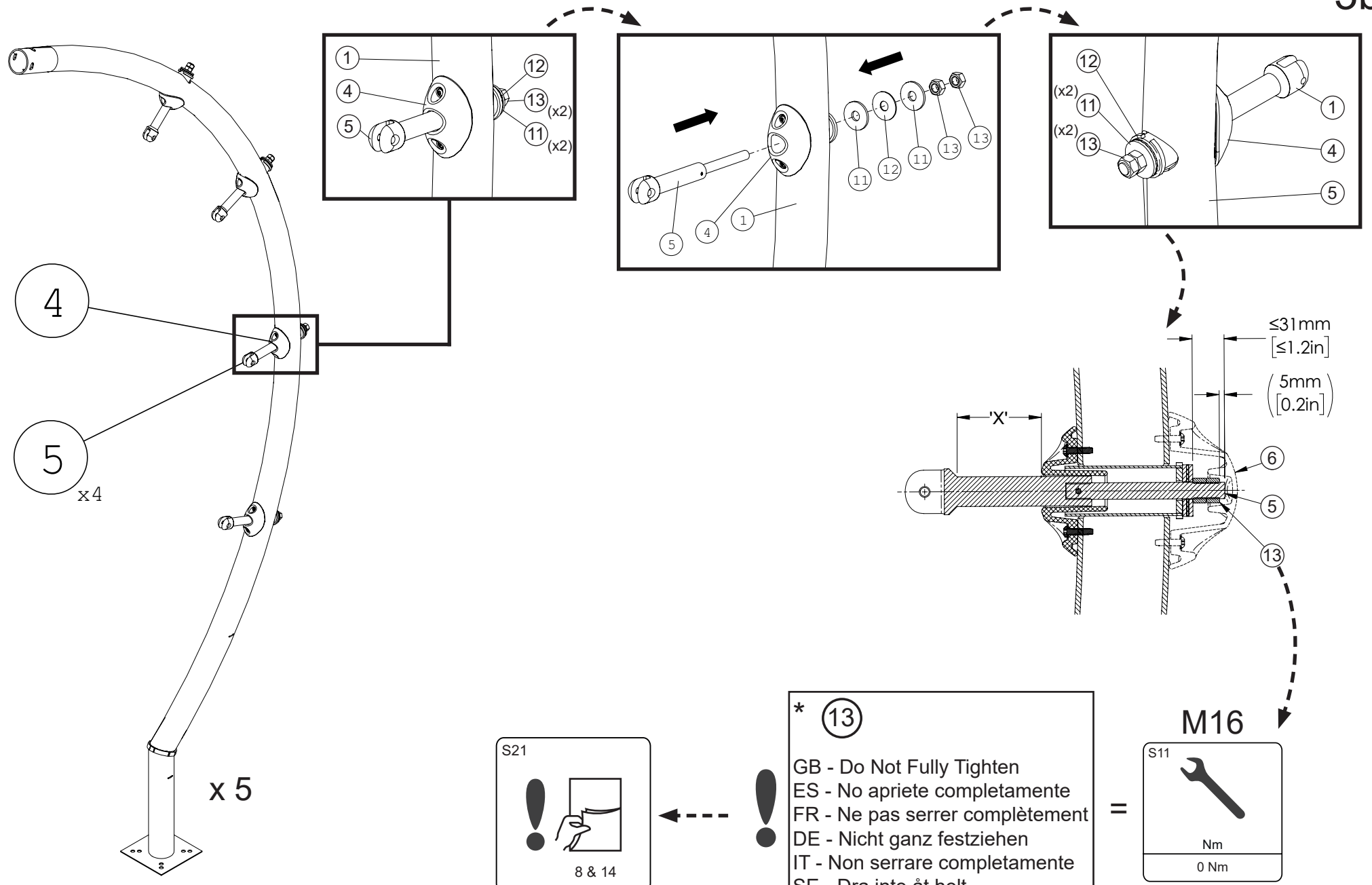
1



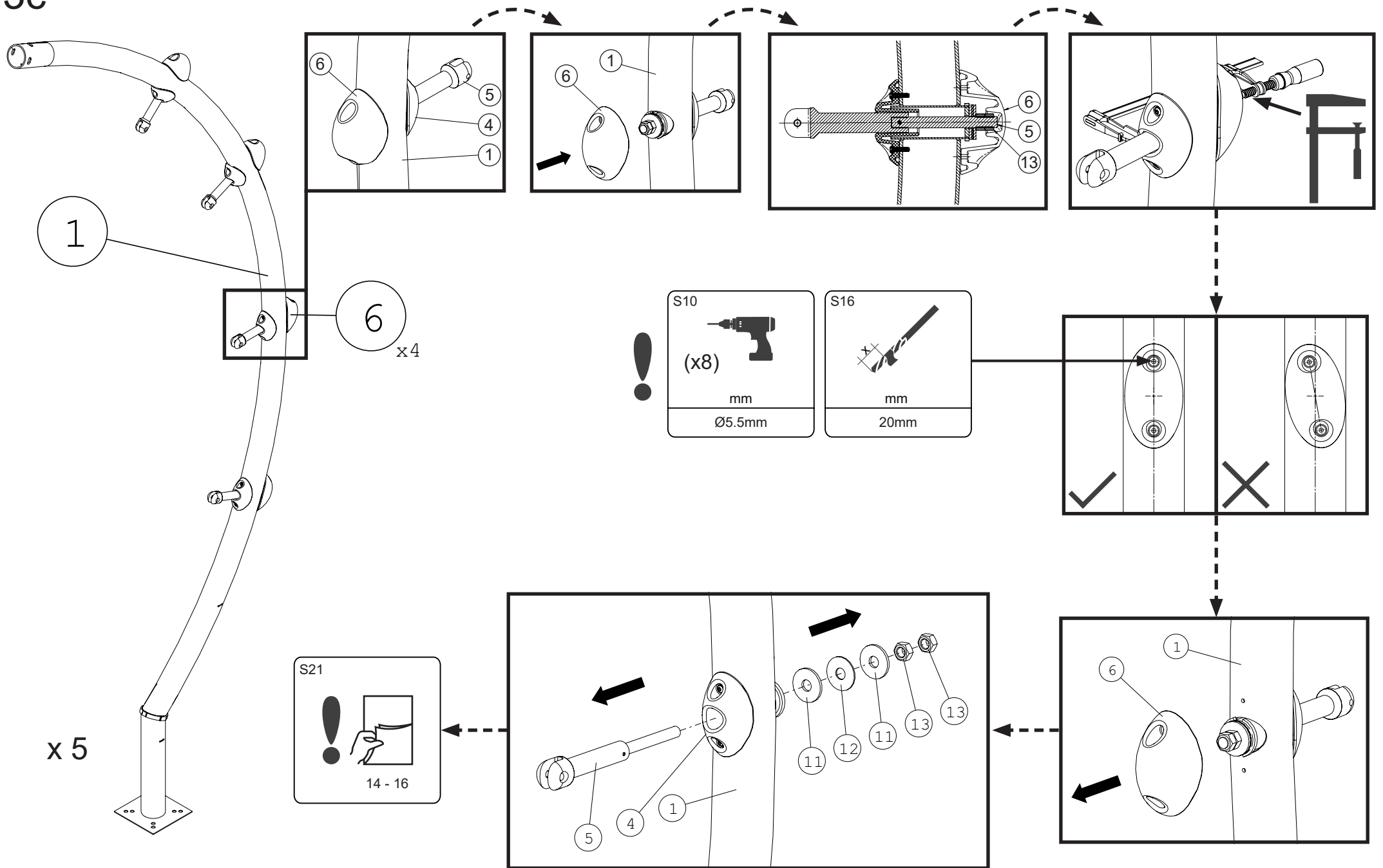


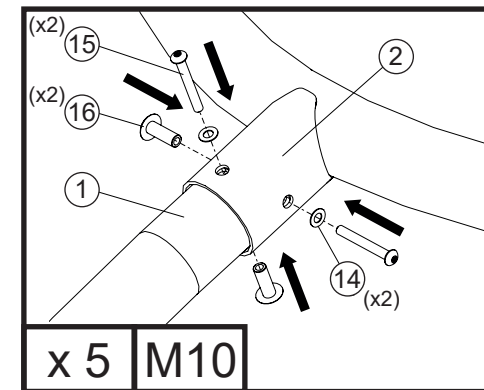
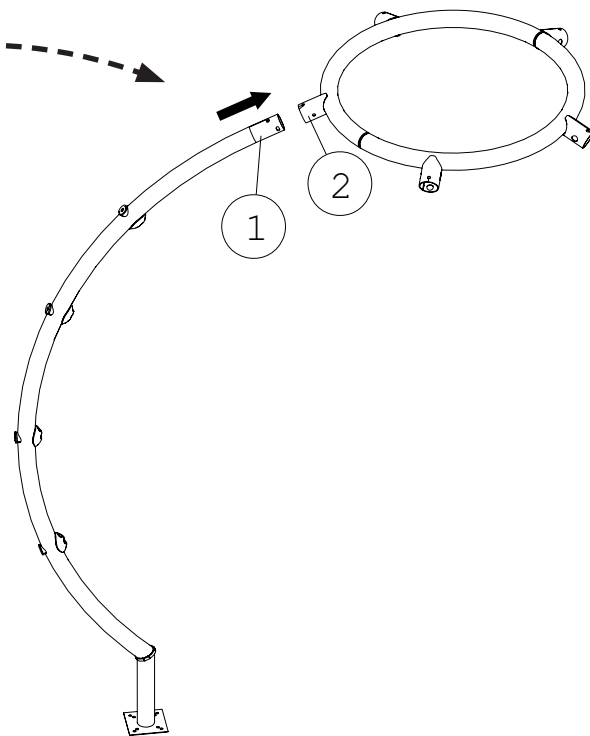
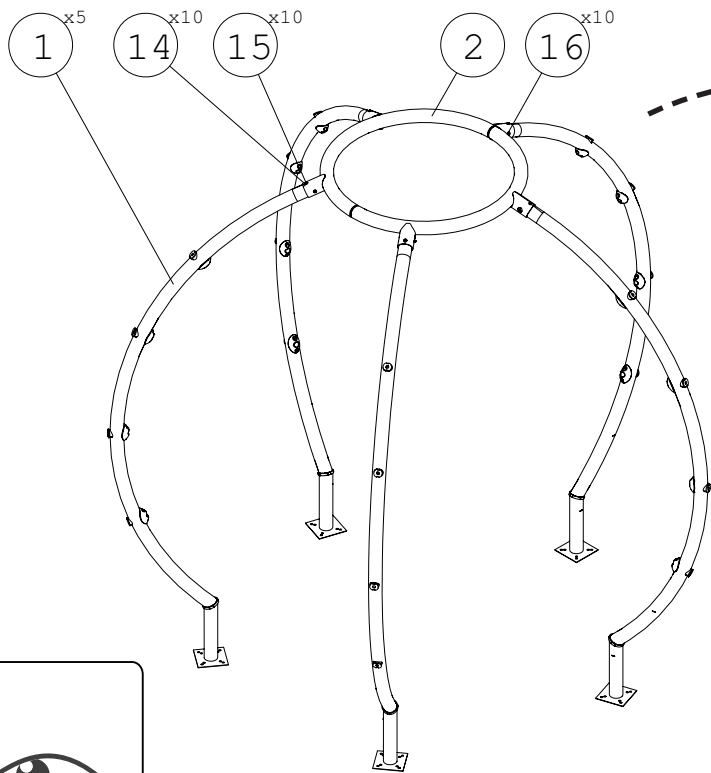
3a





3c





S22

S12

kg
49kg

S12

kg
48kg

S21

11

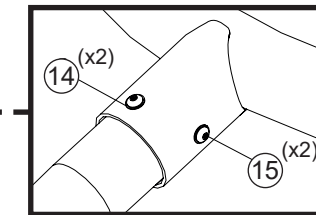
* (15) & (16)

GB - Do Not Fully Tighten
 ES - No apriete completamente
 FR - Ne pas serrer complètement
 DE - Nicht ganz festziehen
 IT - Non serrare completamente
 SE - Dra inte åt helt
 PL - Nie w pełni dokręcaj

M10

S11

Nm
0 Nm

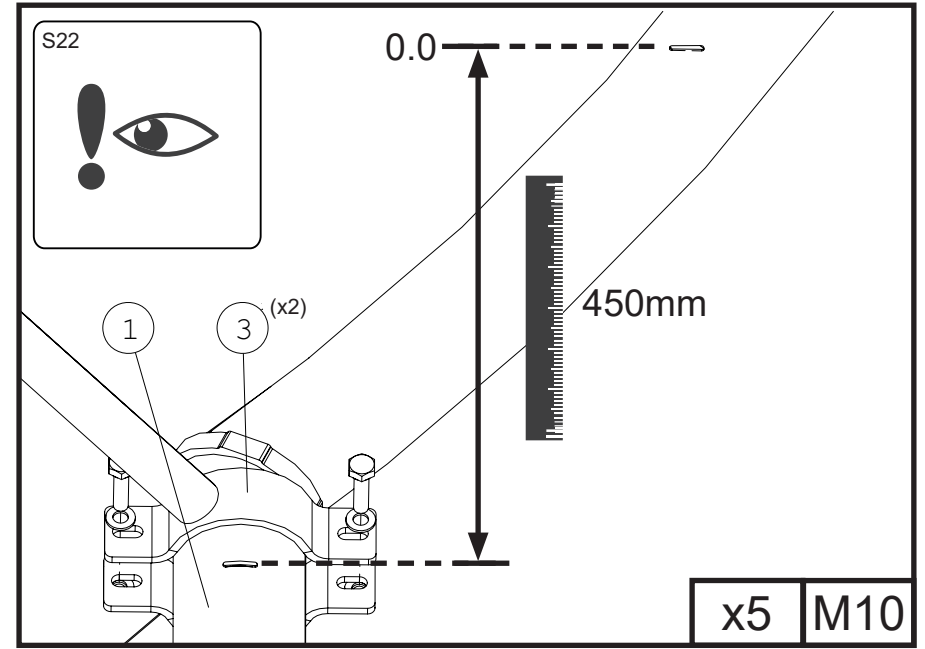
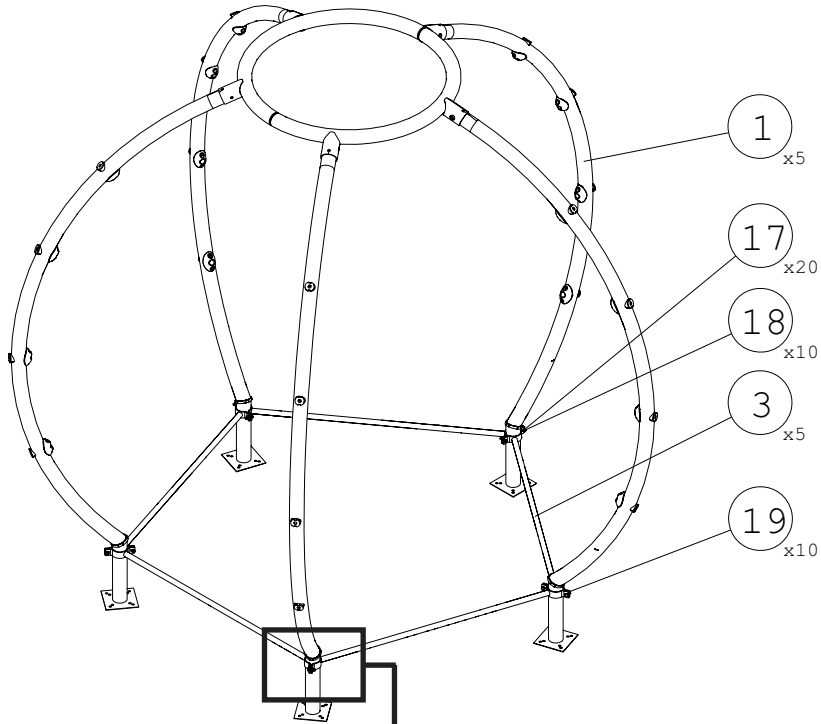


5

S22

S12

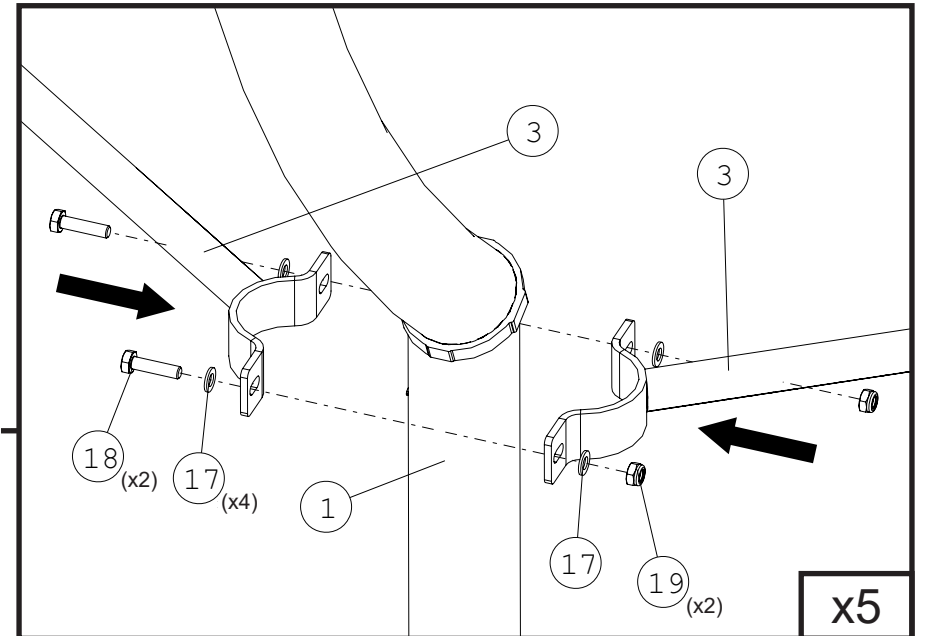
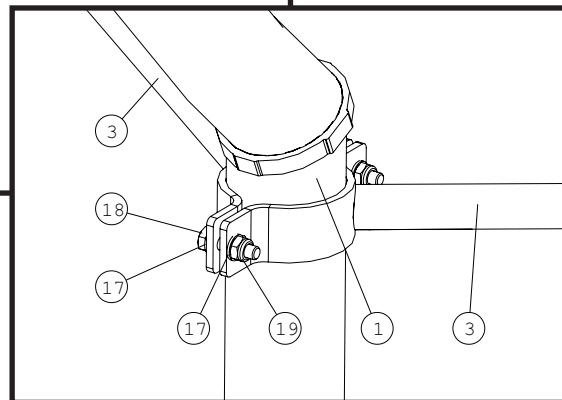
kg
318kg

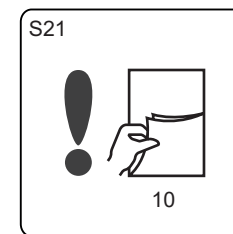
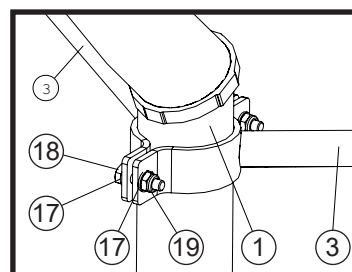
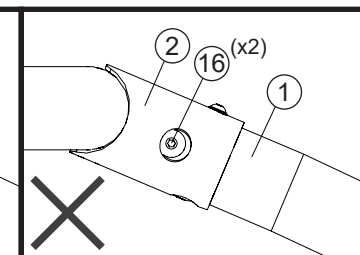
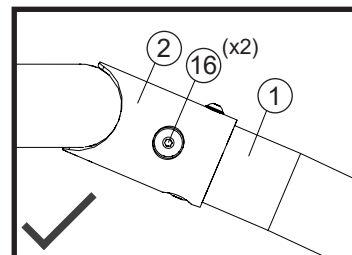
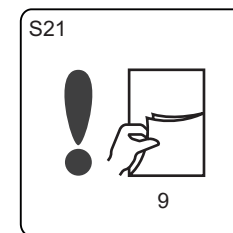
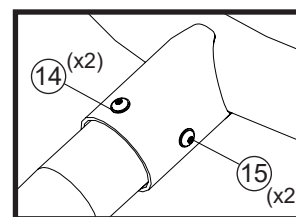
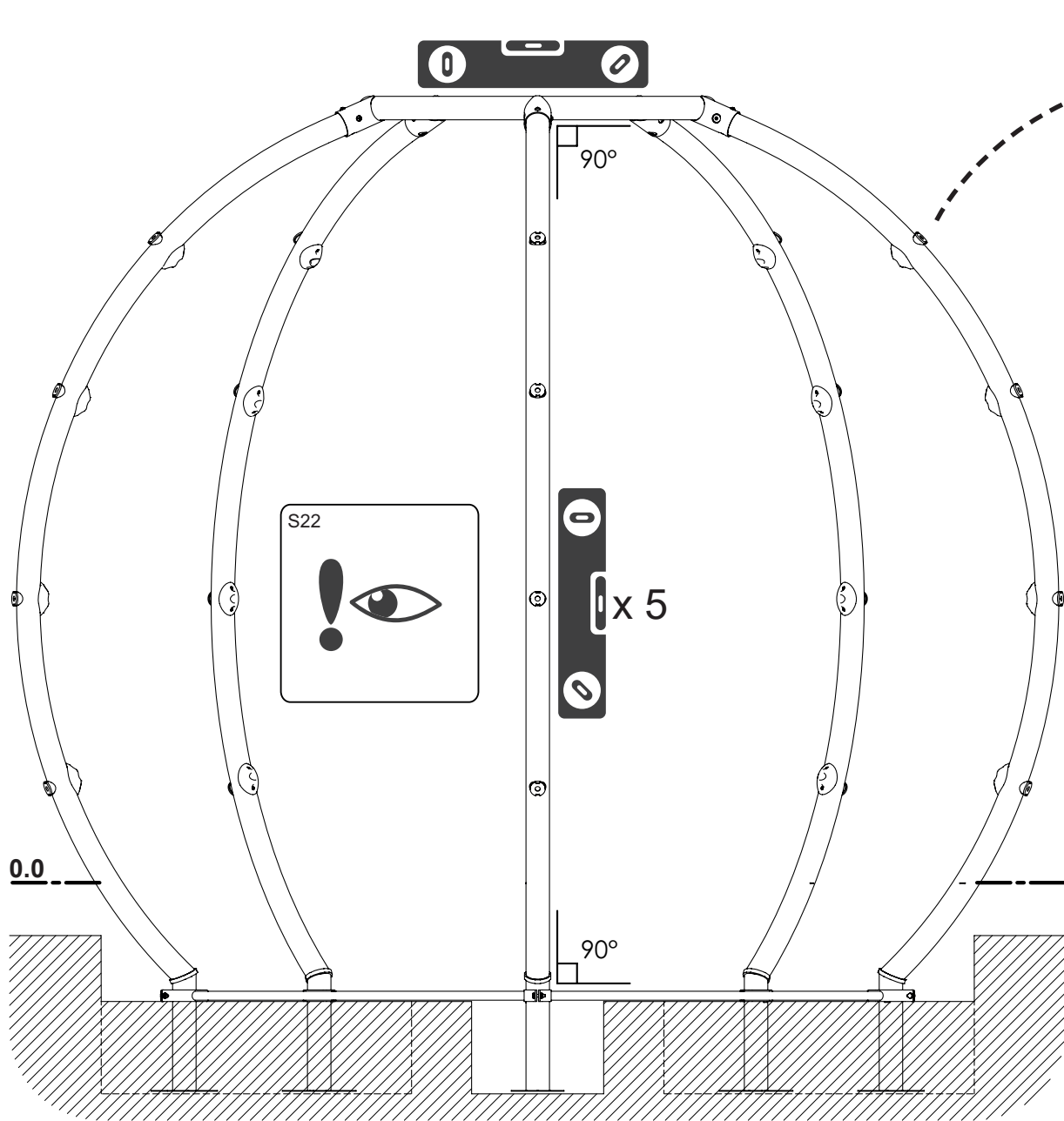


M10

S11

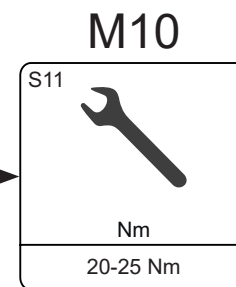
Nm
0 Nm

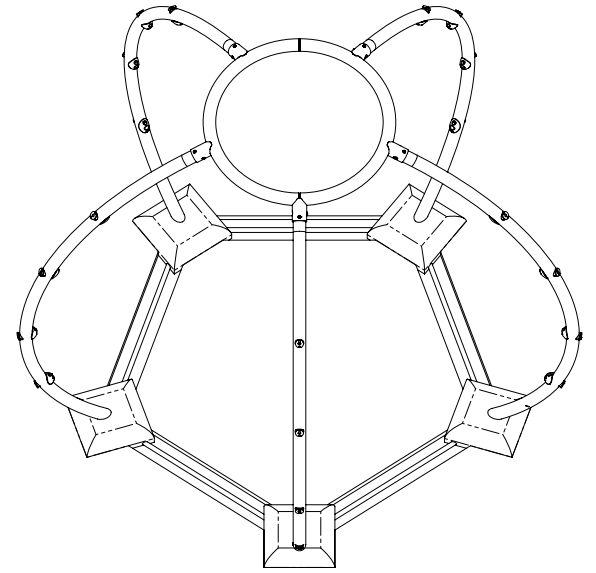
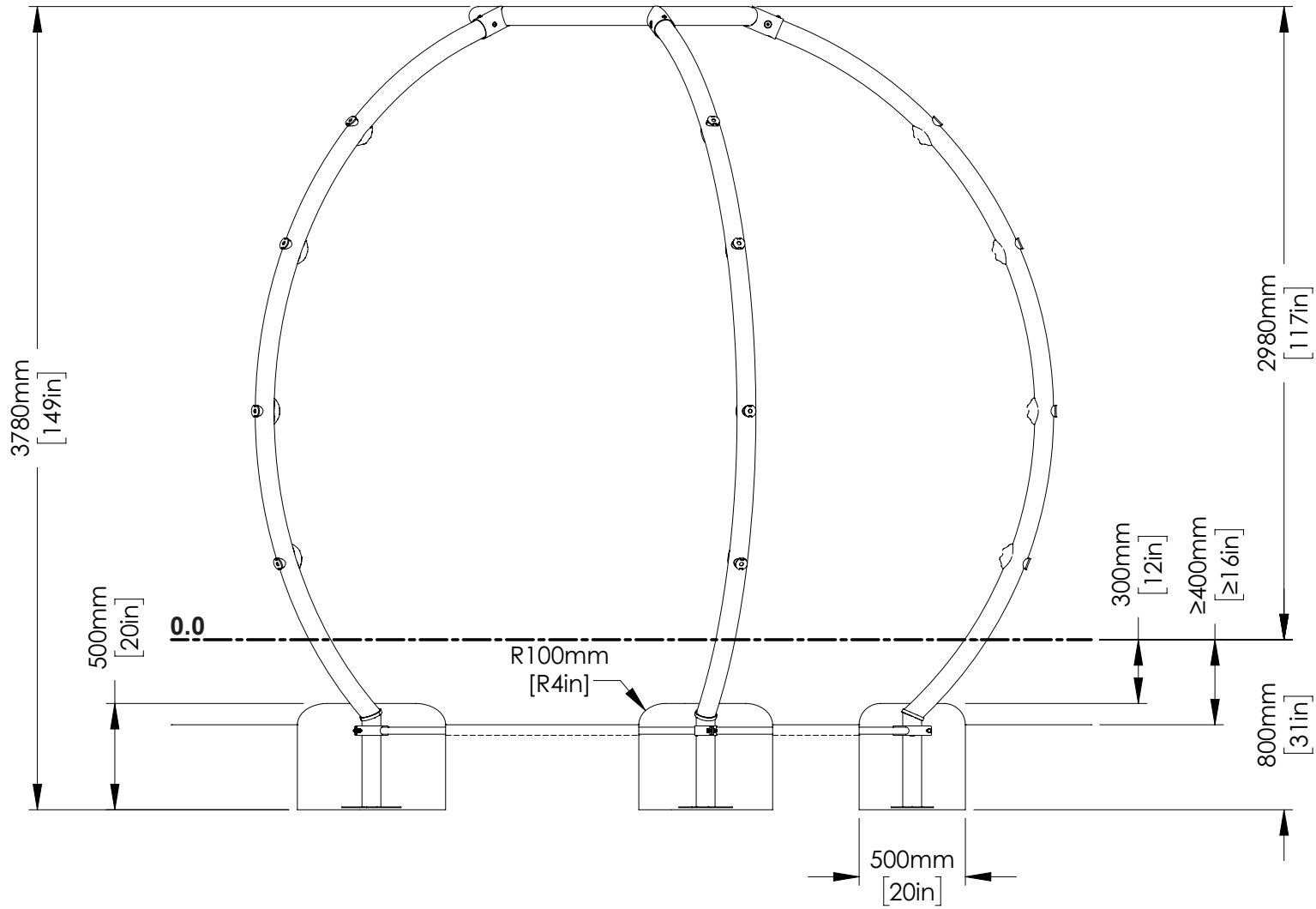





* (15) & (16) / (18) & (19)

GB - Tighten Completely
 ES - Apretar completamente
 FR - Serrer complètement
 DE - Ganz festziehen
 IT - Stringere completamente
 SE - Dra åt helt
 PL - Całkowicie dokręcić






S13




m³
0.6m³


S25



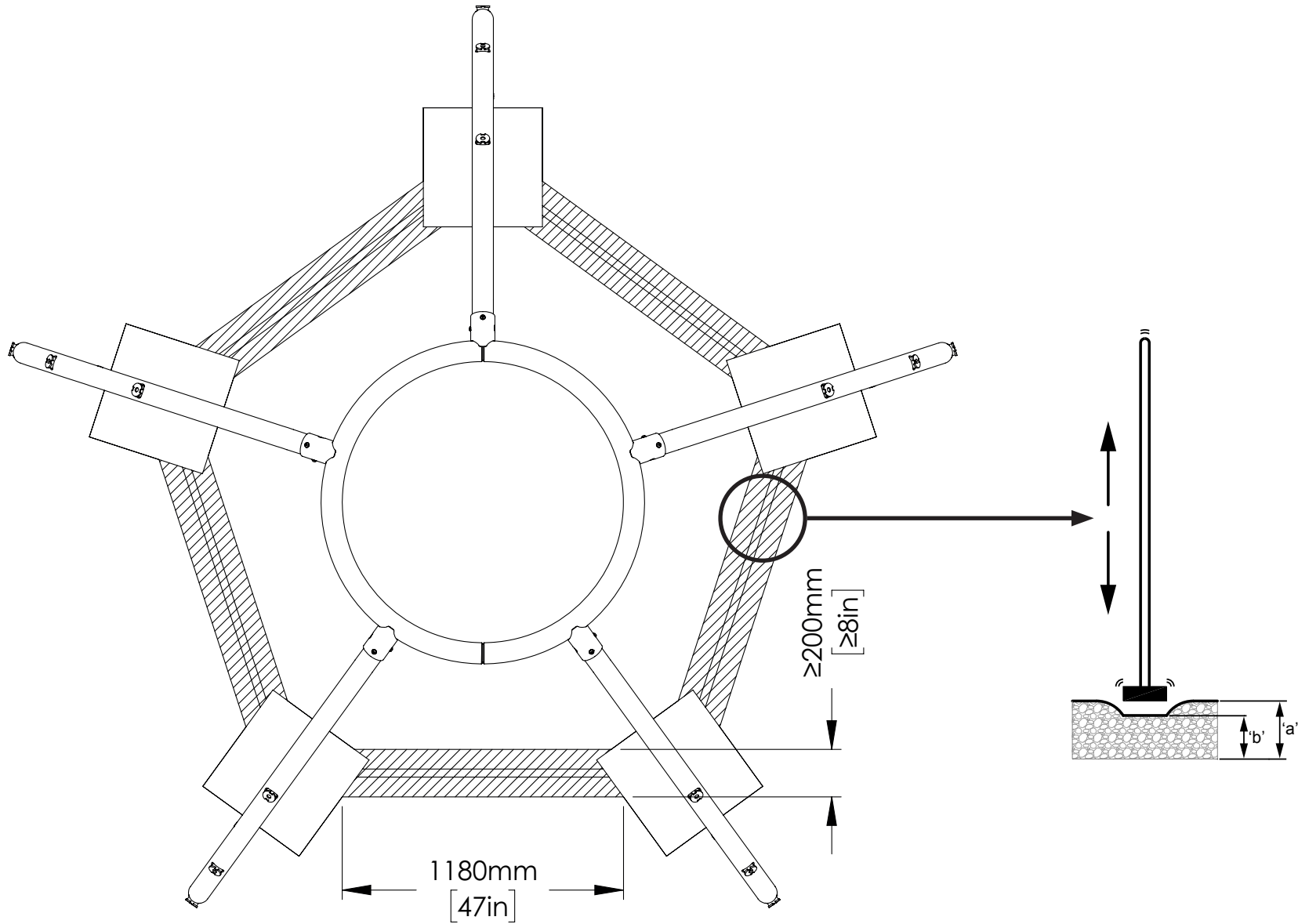
S2 (50mm)
≥C20-25



7 x 24



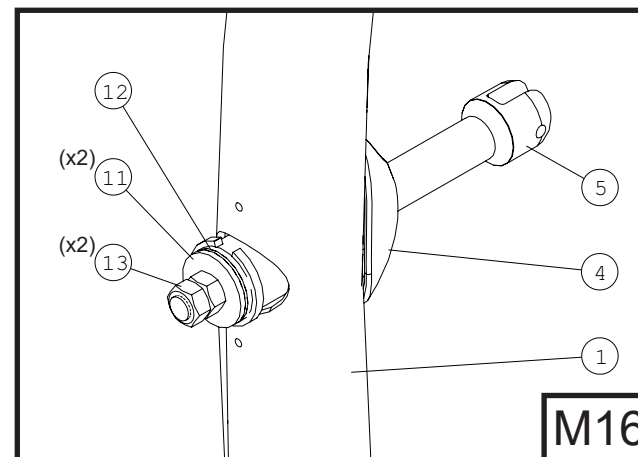
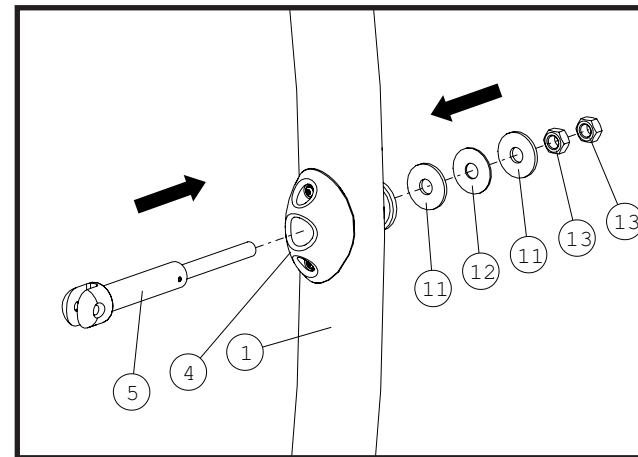
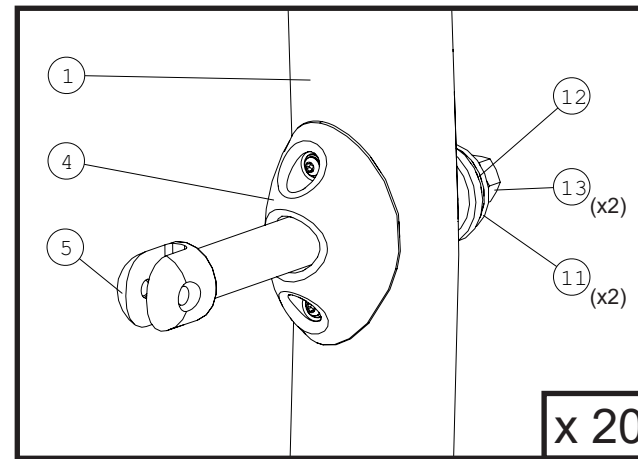
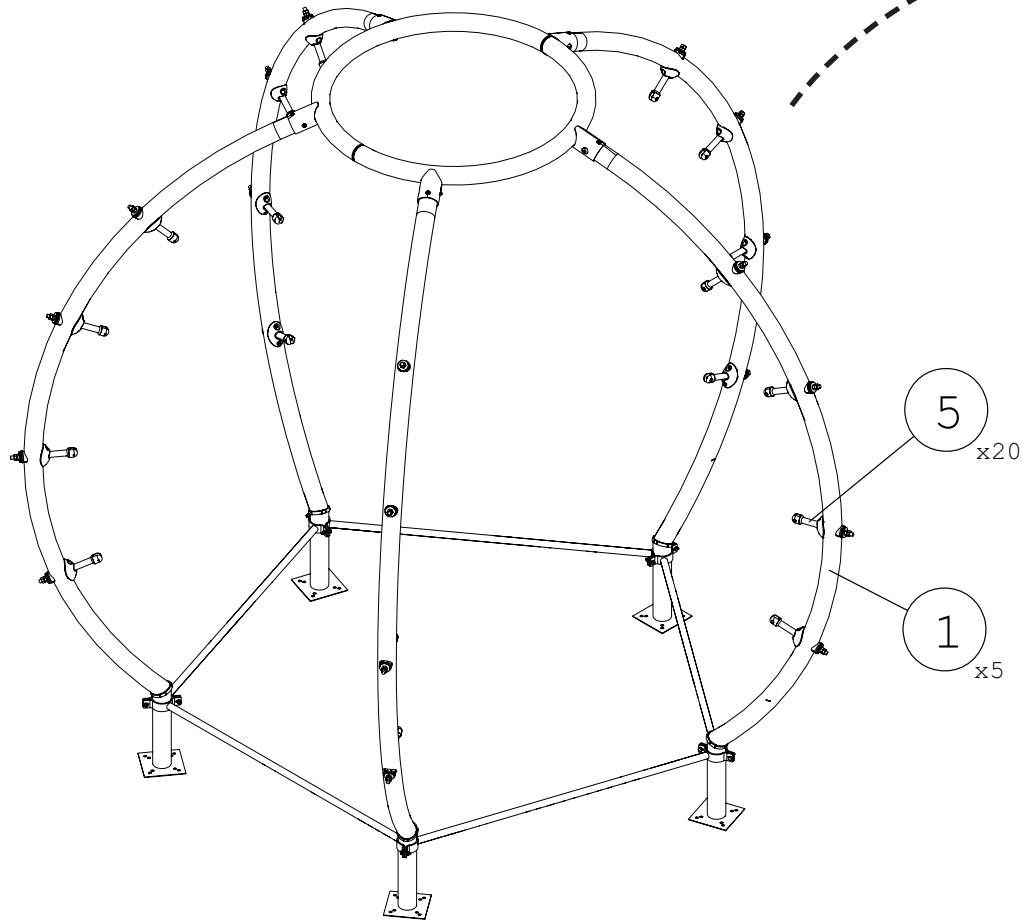
101



!

a = >150mm [>6in]

b = ≤150mm [≤6in]

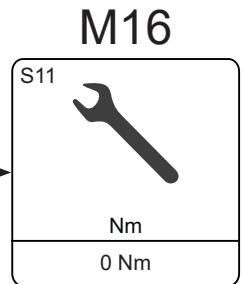
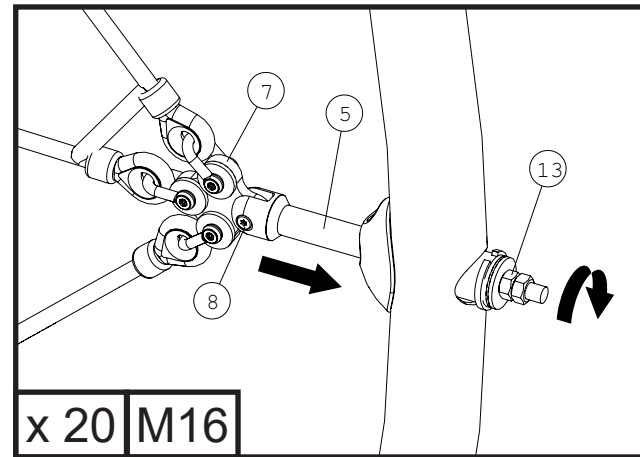
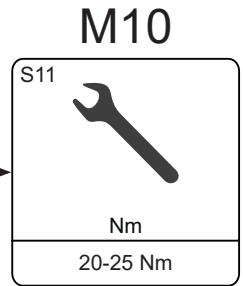
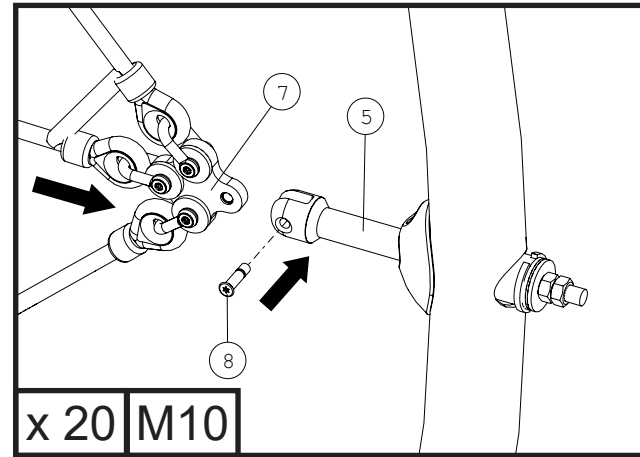
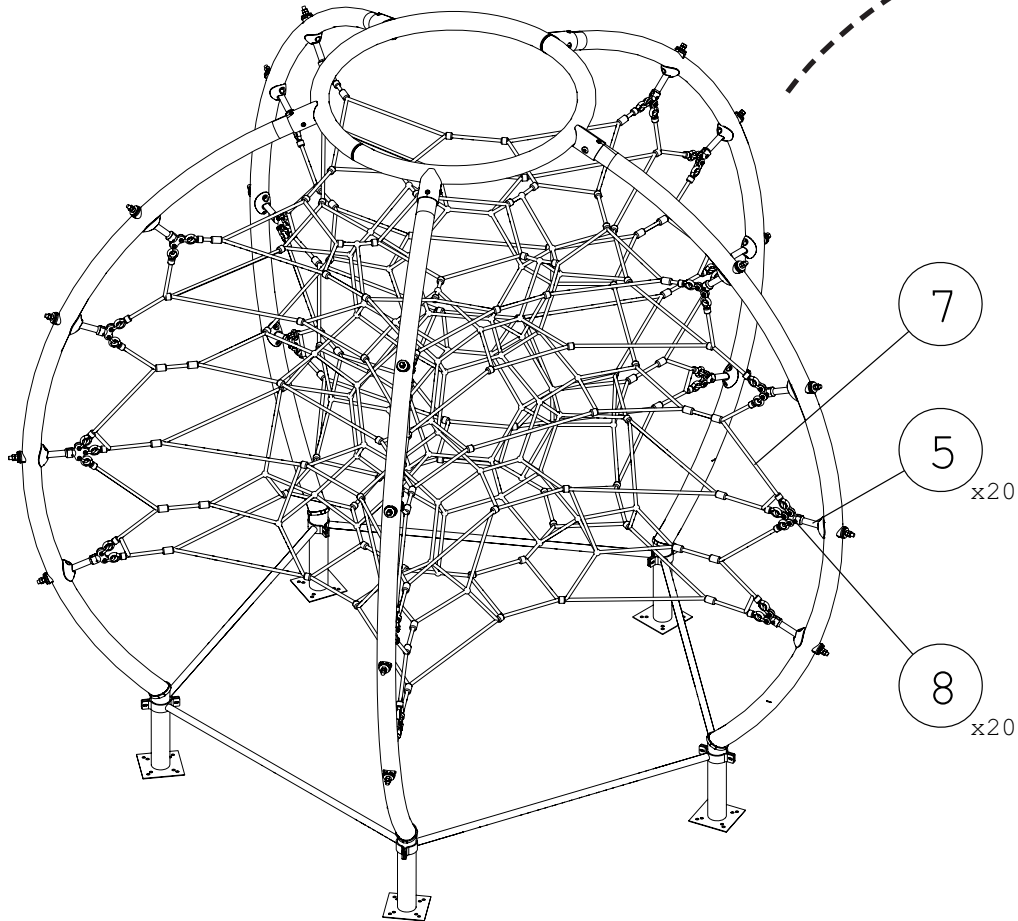
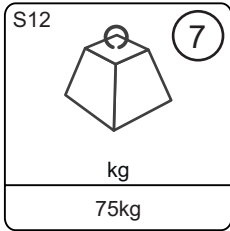


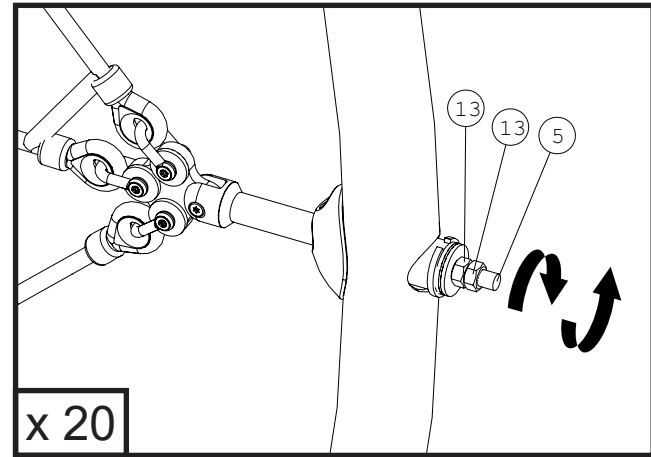
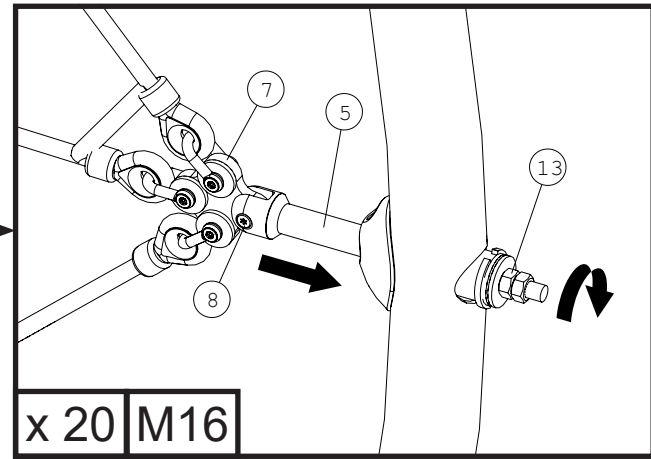
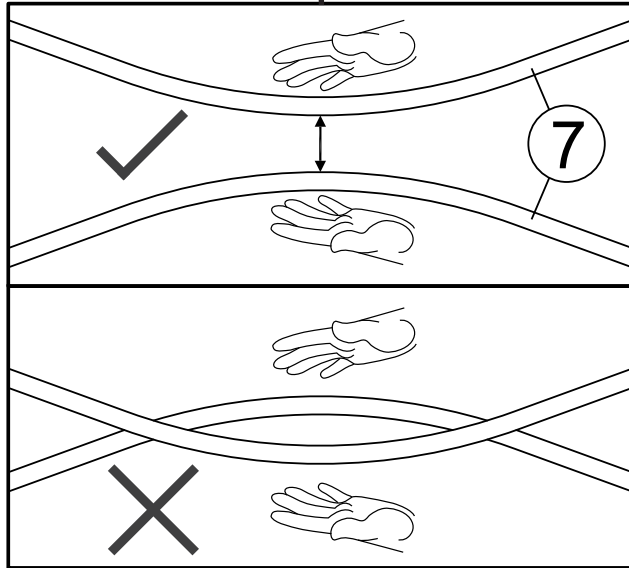
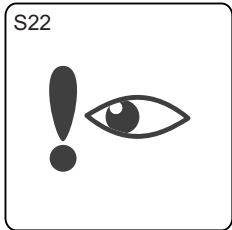
M16

S11

Nm

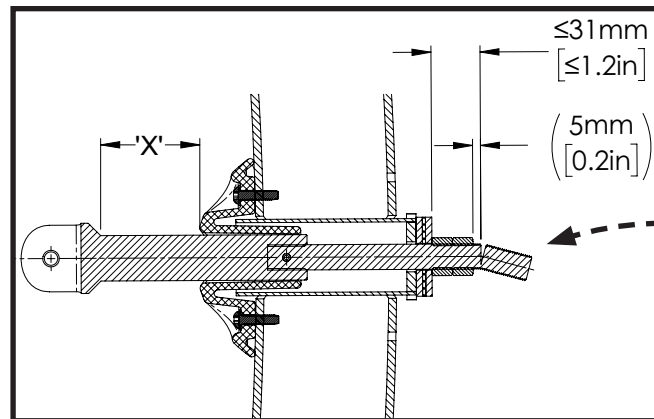
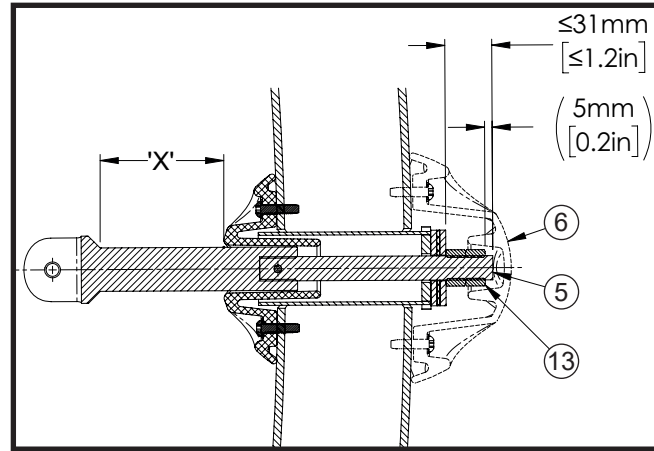
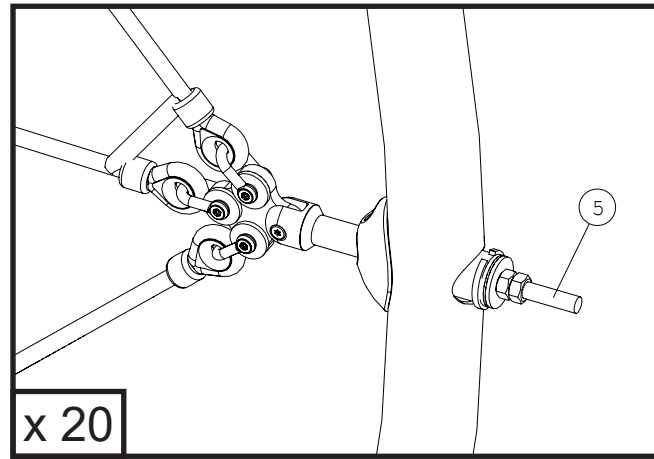
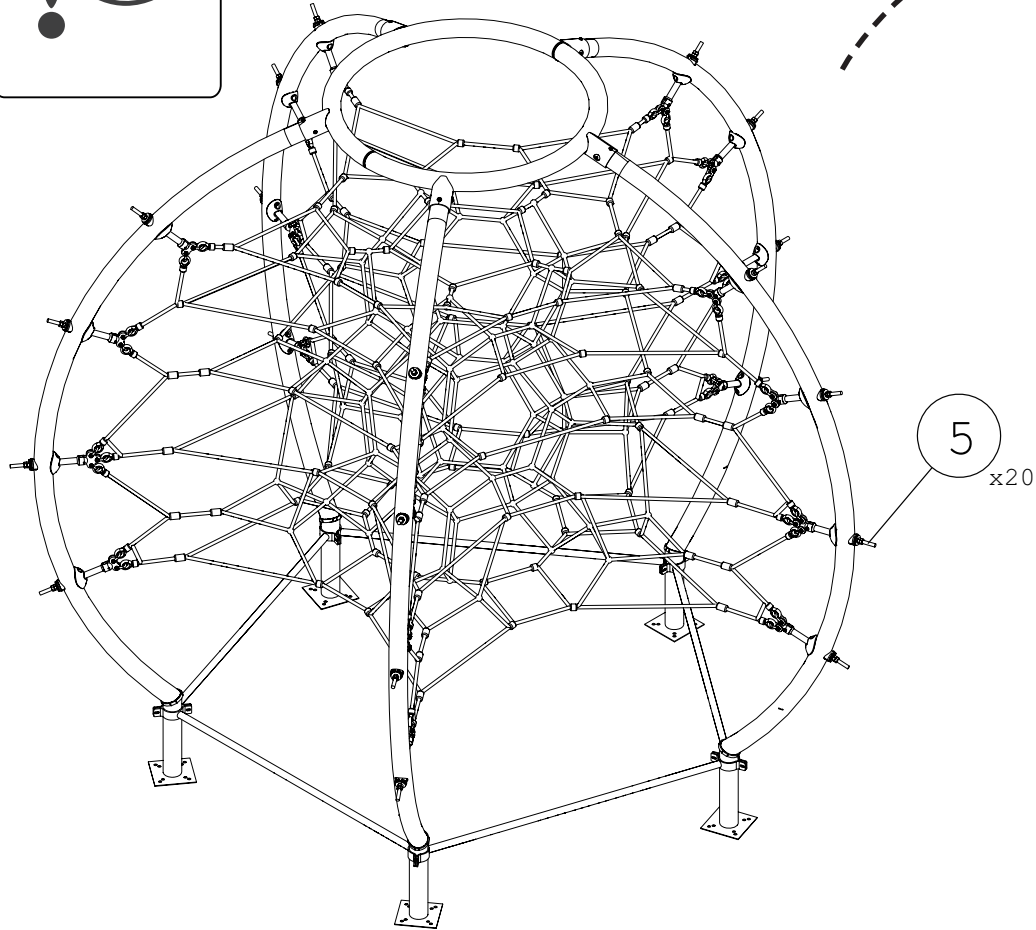
0 Nm

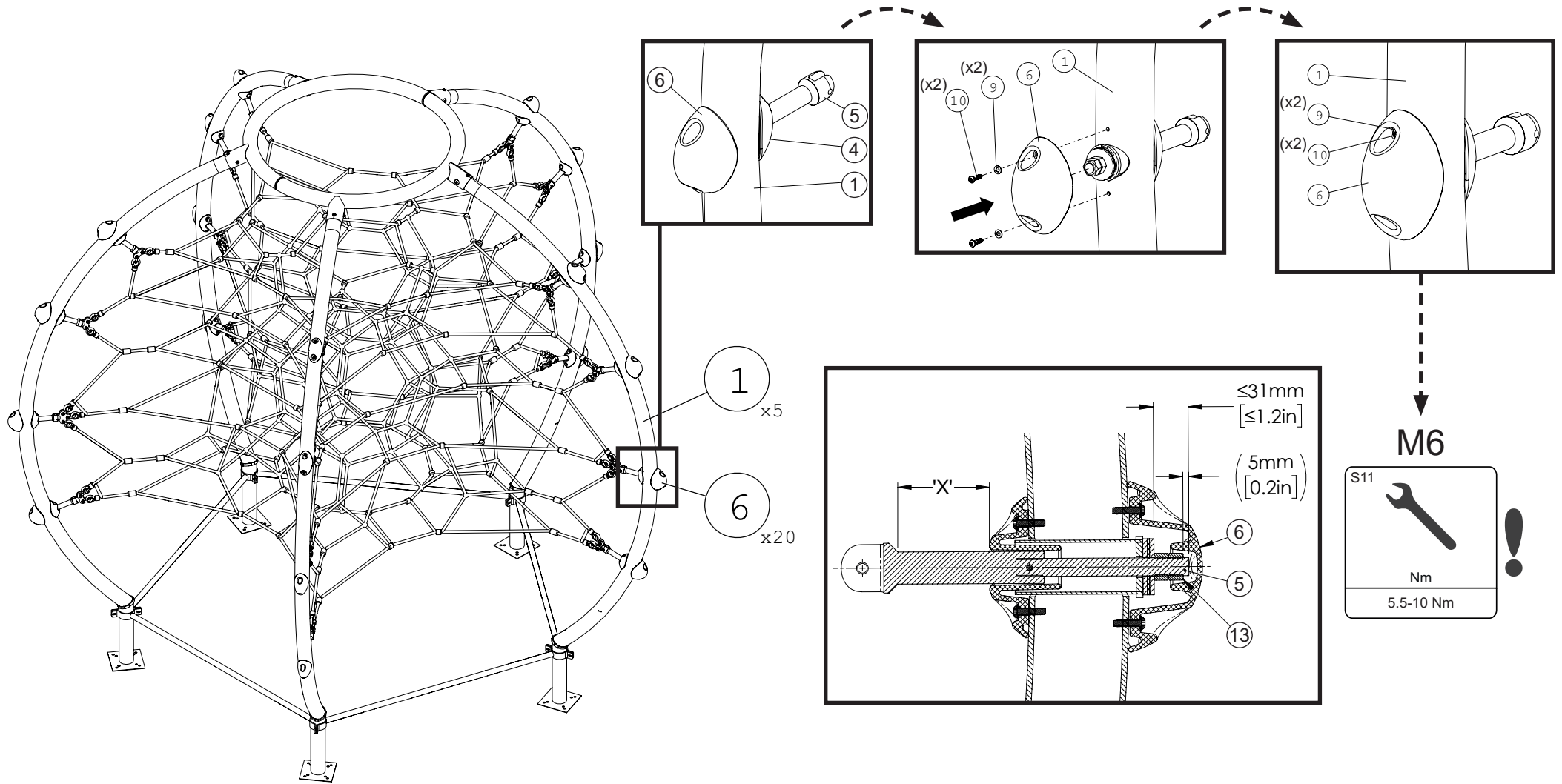


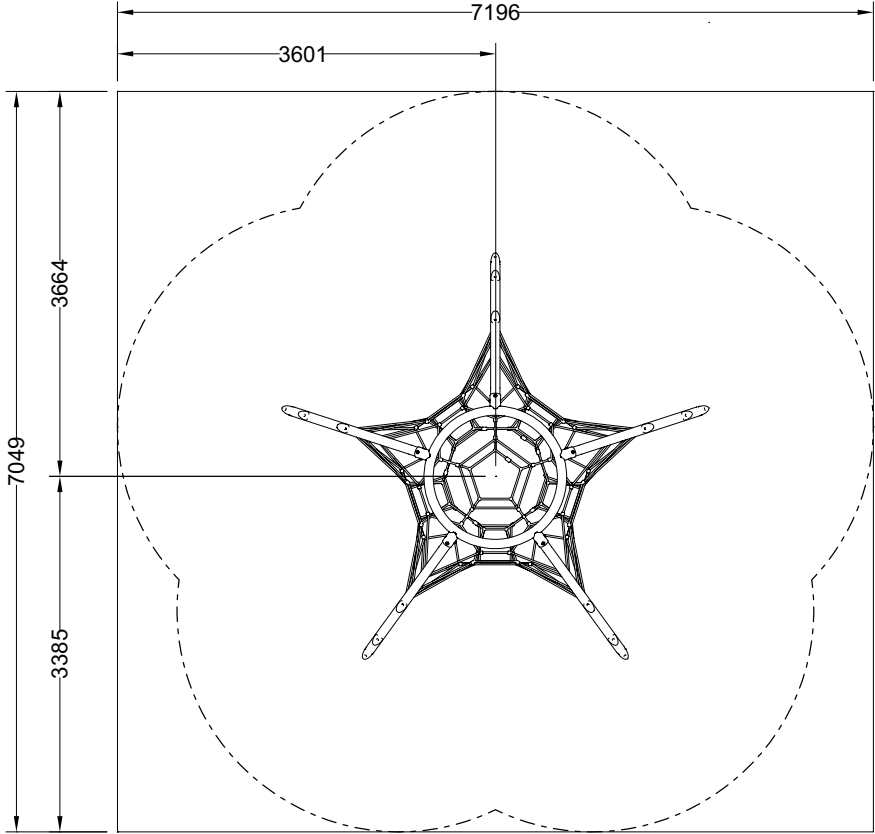


* (7) & (13)

! GB - Tighten Completely
 ES - Apretar completamente
 FR - Serrer complètement
 DE - Ganz festziehen
 IT - Stringere completamente
 SE - Dra åt helt
 PL - Całkowicie dokręcić







50.7m²