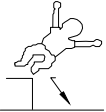
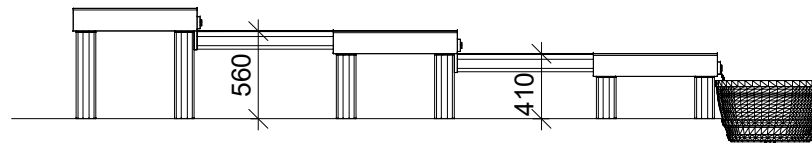
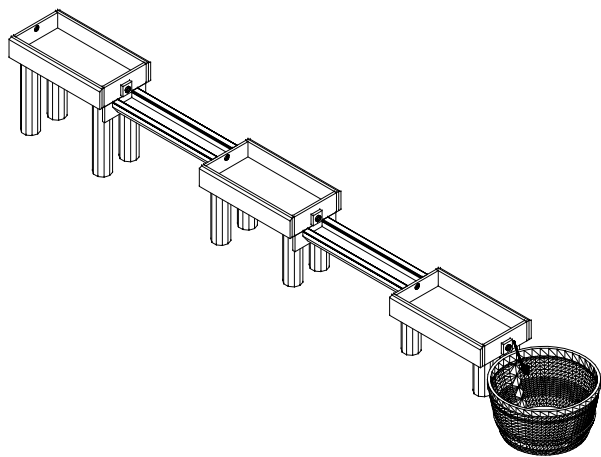


NORNA PLAYGROUNDS	
Vandleg med firkantet bodexkar	
LE 20424	
30.09.2013	REV. 19.01.2022

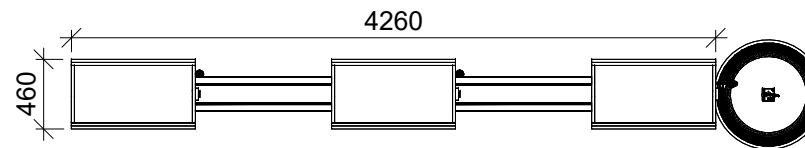
< 600



≥ EN 1176



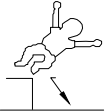
1:50



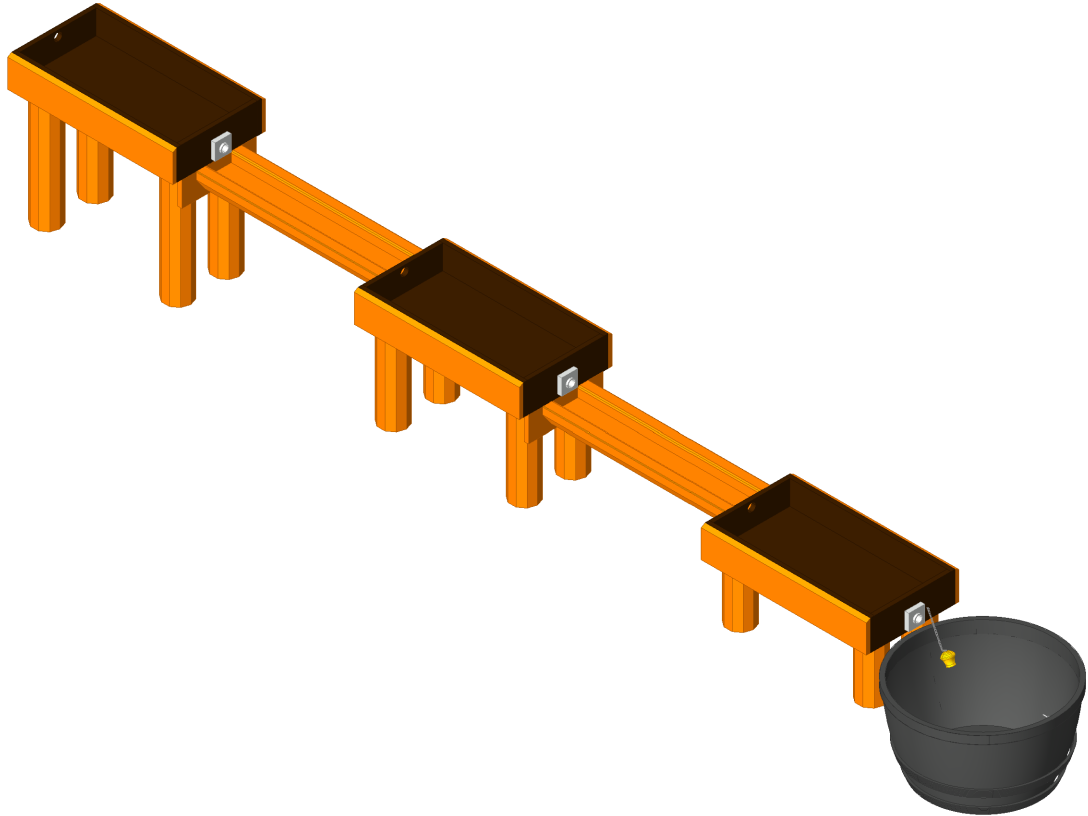
1:50

NORNA PLAYGROUNDS	
Vandleg med firkantet bodexkar	
LE 20424	
30.09.2013	REV. 19.01.2022

< 600

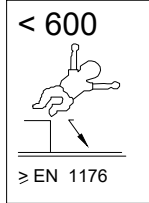


≥ EN 1176



This drawing is the property of NORNA PLAYGROUNDS and pursuant to current legislation may not be copied, transferred to or used by any third party. Should this drawing be used, a fee of 10% of the assumed contract price will be charged.

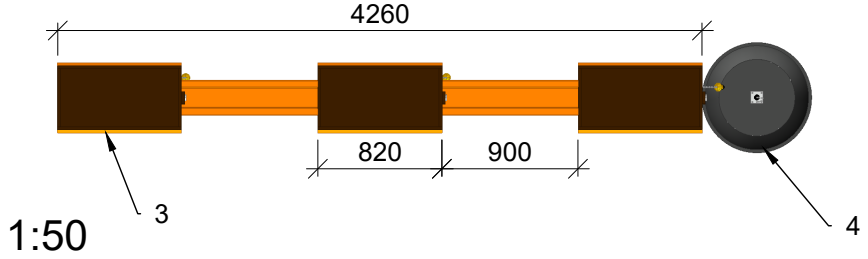
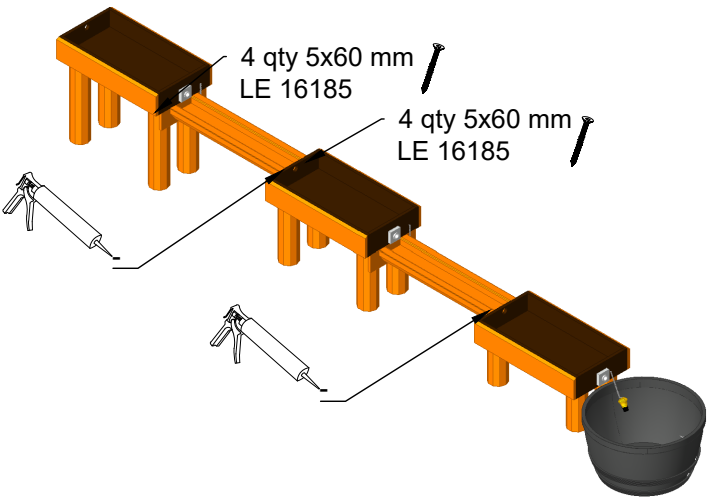
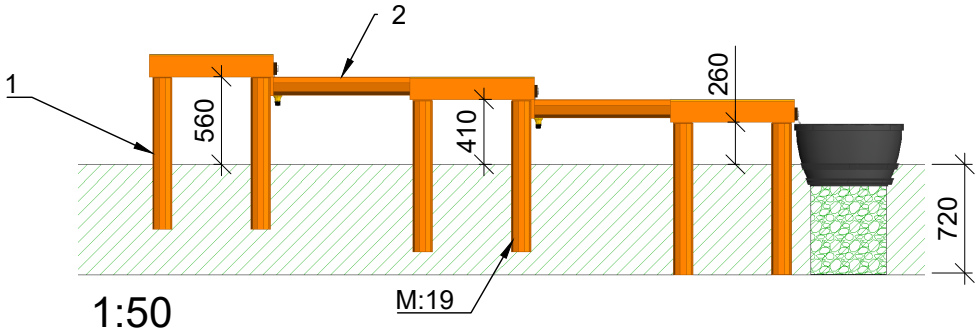
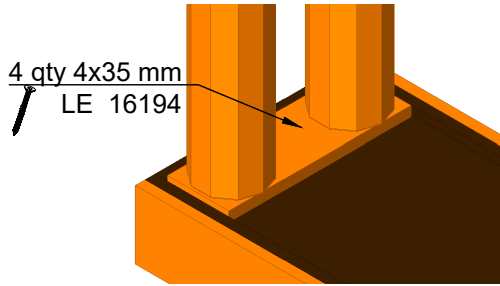
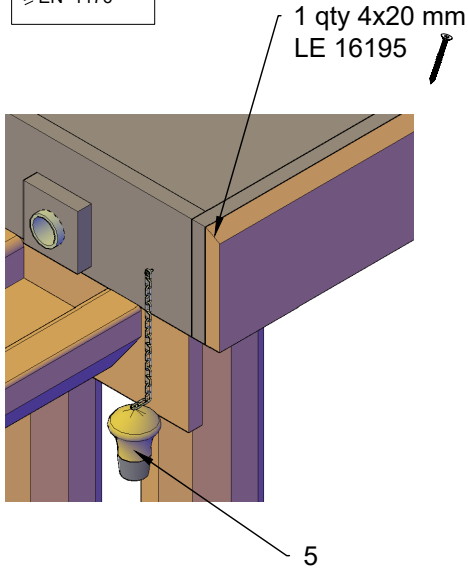
NORNA PLAYGROUNDS	
Vandleg med firkantet bodexkar	
LE 20424	
30.09.2013	REV. 06.06.2018/ hn



Mont.p. nr.

19

Materialer		
Mrk.	QTY	Part.no
1	6	LE 20429
2	2	LE 20423
3	3	LE 20425
4	1	LE 20492
5	3	LE 20421



This drawing is the property of NORNA PLAYGROUNDS and pursuant to current legislation may not be copied, transferred to or used by any third party. Should this drawing be used, a fee of 10% of the assumed contract price will be charged.