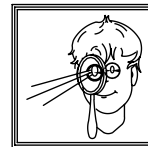


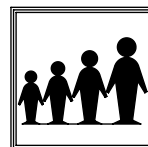
3,0h



Varje vecka
 Every week
 Jede woche
 Chaque semaine



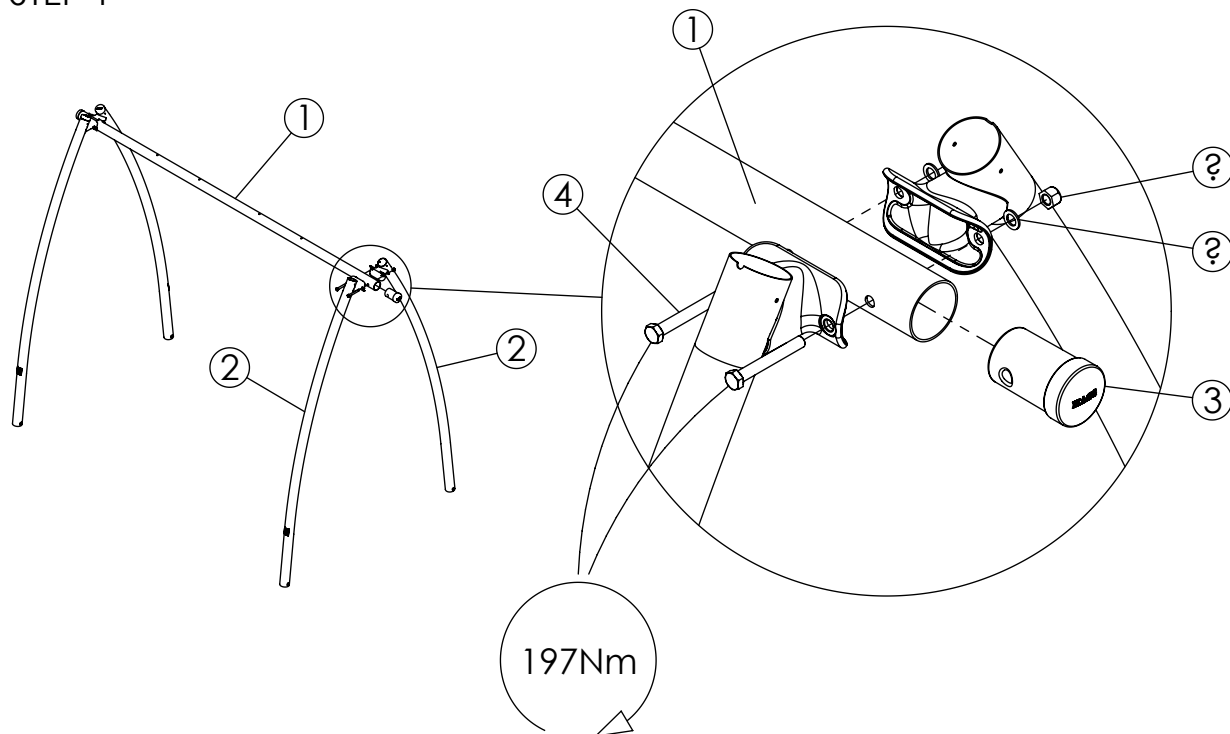
Varje säsong
 Every season
 Jedes Jahr
 Chaque saison



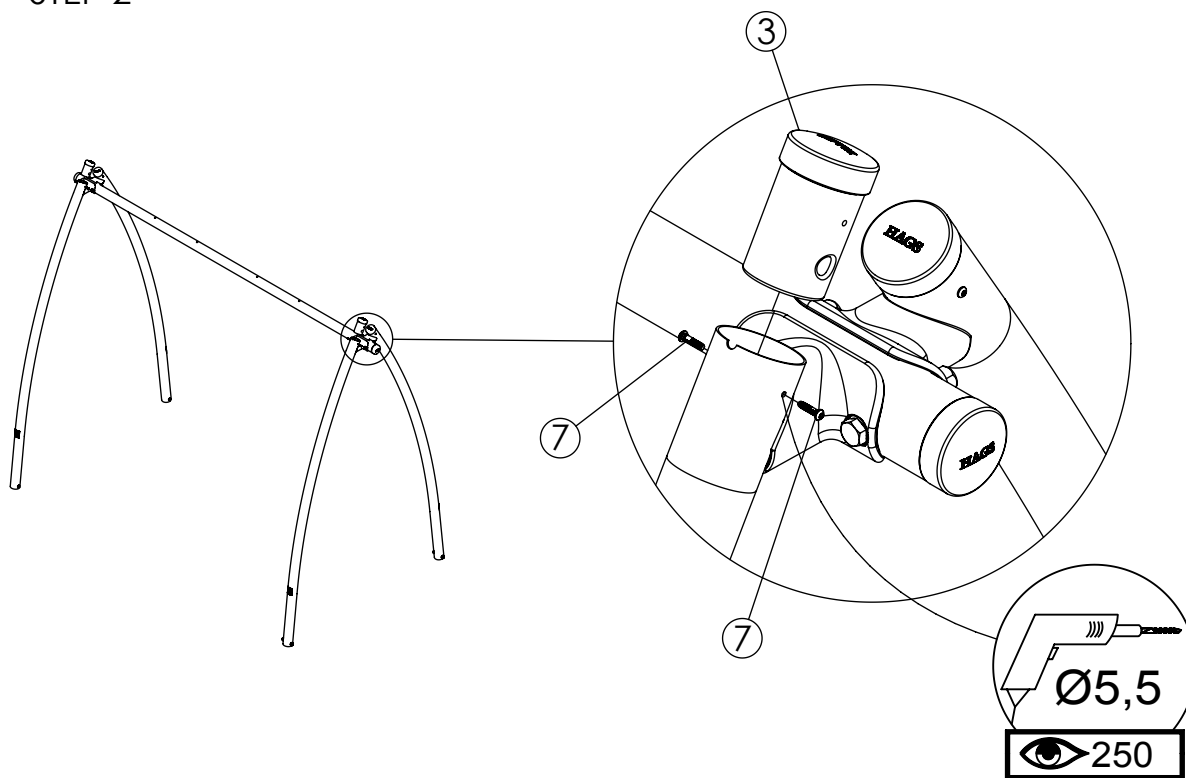
2-12

HAGS		ANEBY, SWEDEN +46(0)380-47300 www.hags.com	
Omega 2-pl S			
MASW51317			
1 (4)			
	Tek		SSV 2018-04-13 7

STEP 1



STEP 2



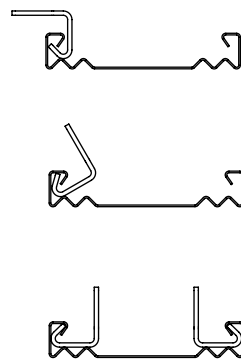
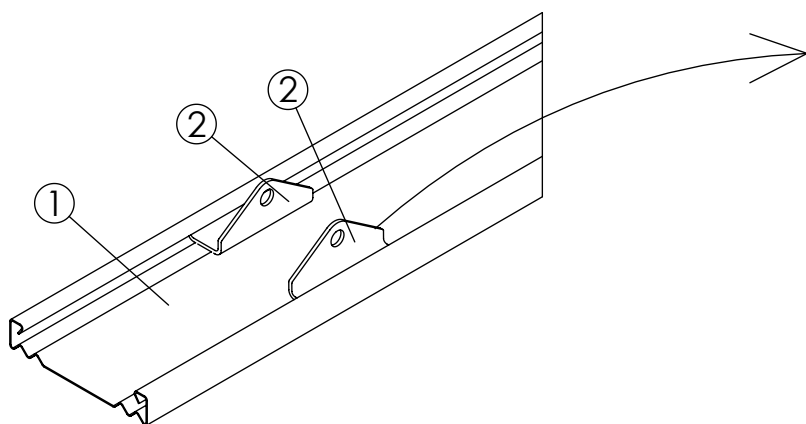
NR.	Description MA	Item Number	Qty
1	Beam Bas module 2-pl	8057738	1
2	Leg	8057736	4
3	End piece	8043004	6
4	M6S 8.8 M16x120	8057703	4
5	M6M -8 M16	8042812	4
6	Ø17x28x2,5	8058078	8
7	Screw, thr-forming M6x25-8.8-(ISO7380)	8027762	8

HAGS ANEBY, SWEDEN
+46(0)380-47300
www.hags.com

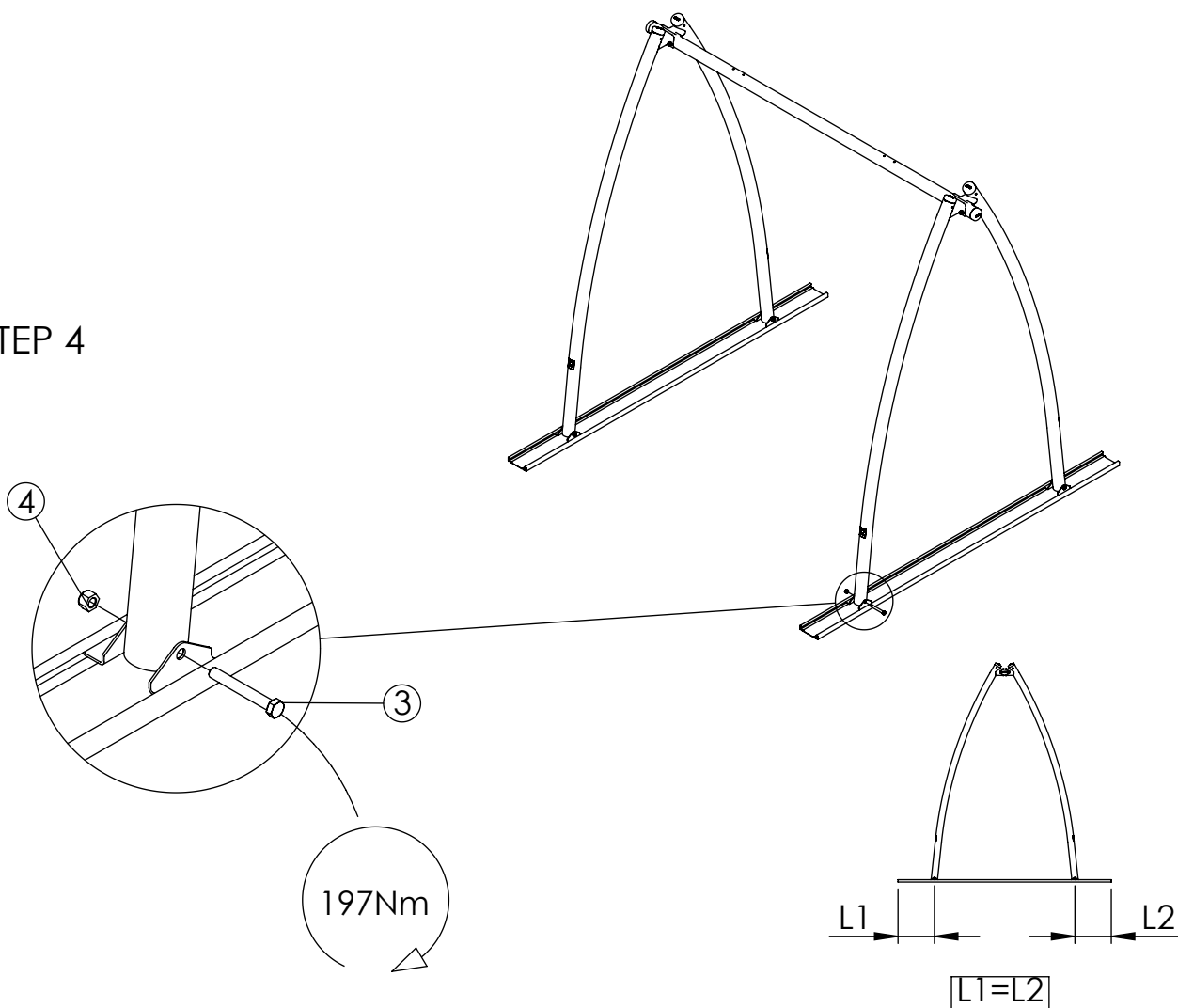
Omega 2-pl S
MASW51317
2 (4)

Tek 3 SSV 2018-04-13 7

STEP 3



STEP 4



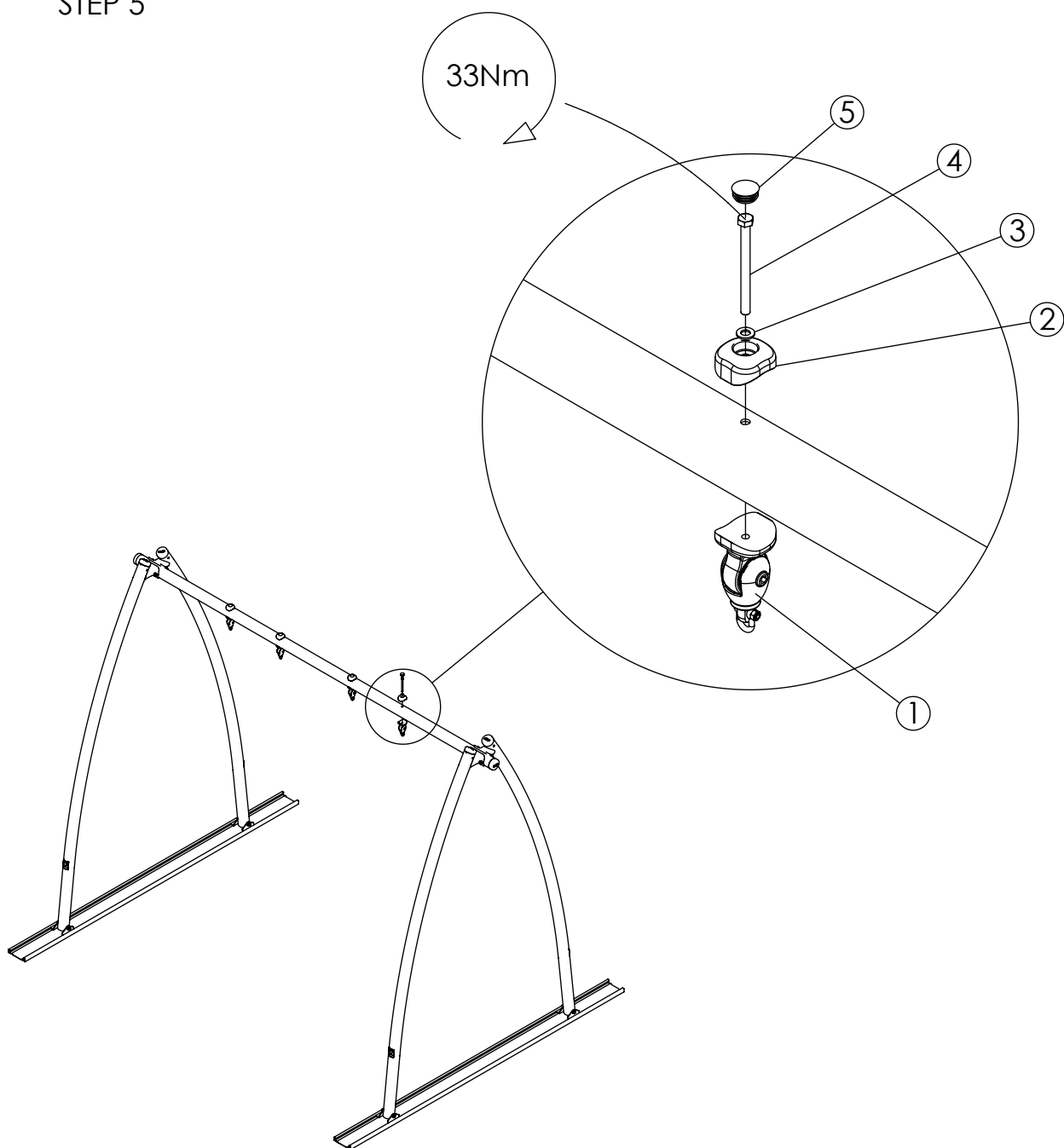
NR.	Description MA	Item Number	Qty
1	Ground bar 3m	8047775	2
2	Fitting	8054232	8
3	M6S 8.8 M16x120	8057703	4
4	M6M -8 M16	8042812	4

HAGS ANEBY, SWEDEN
+46(0)380-47300
www.hags.com

Omega 2-pl S
MASW51317
3 (4)

🏠 Tek 🔍 👁️ SSV 2018-04-13 | 7

STEP 5



NR.	Description MA	Item Number	Qty
1	Swing joint	8050617	4
2	Cover	8050617	4
3	Ø11x24x2 mm	8050617	4
4	M6S M10x120 mm	8050617	4
5	Top cover	8050617	4

<h1>HAGS</h1> <p>ANEBY, SWEDEN +46(0)380-47300 www.hags.com</p>			
		<p>Omega 2-pl S MASW51317 4 (4)</p>	
			SSV 2018-04-13 6