
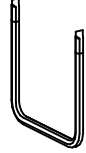

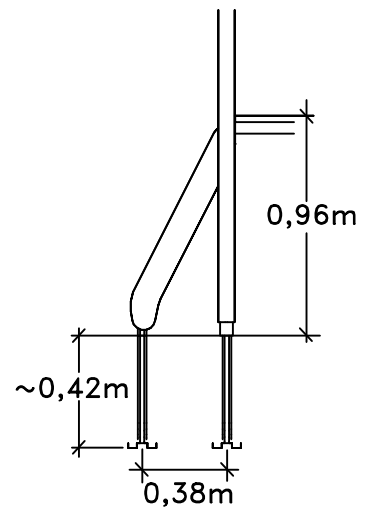
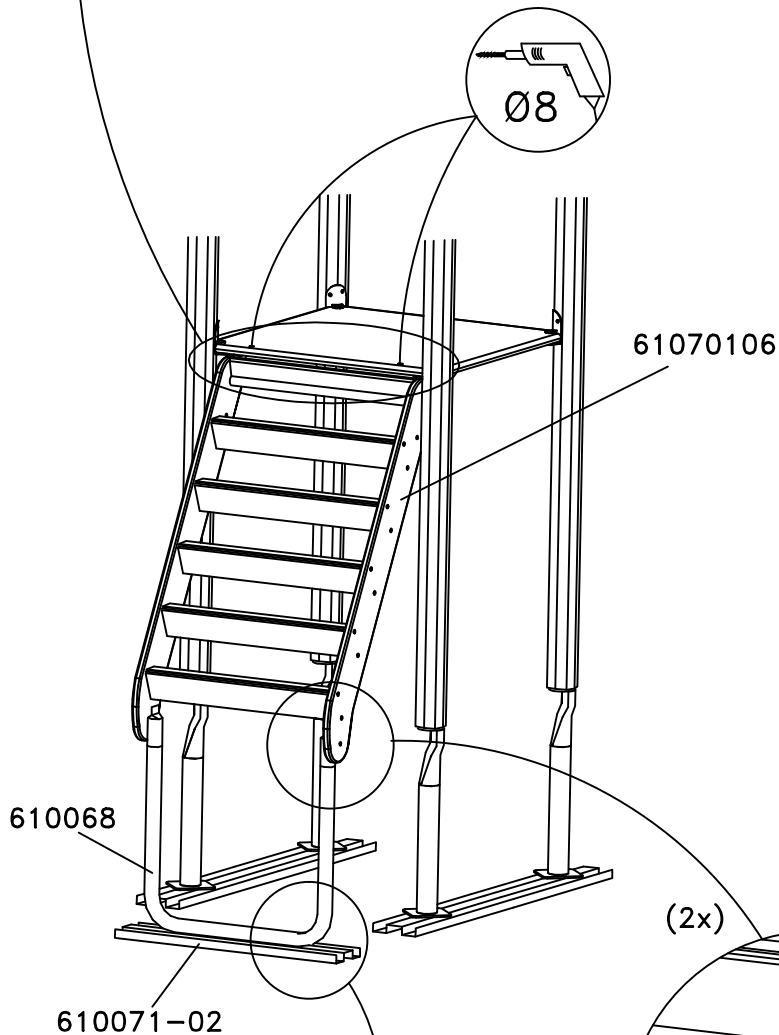
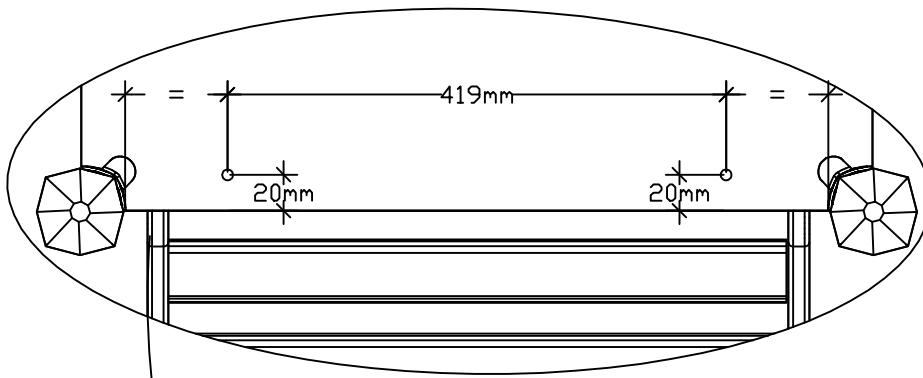
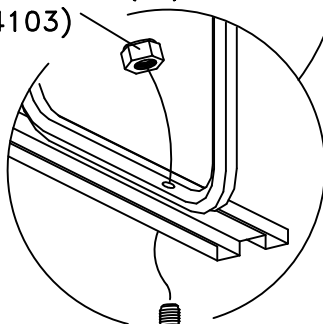


TYPE	HAGS NO.
 0,98x0,53m	61070106
 0,56x0,51m	610068
 L=0,62m	610071-02

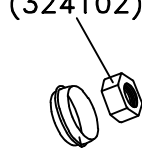


M6M A2 M10(2x)
(324103)



MVBF 10x50(2x)
(304655)

M6M A2 M8
(324102)



COVER 8
(261808)

CAP 8
(261806)



SRB 9x18
(326017)



(2x)

SRB 9x18
(326017)

COVER 8
(261808)

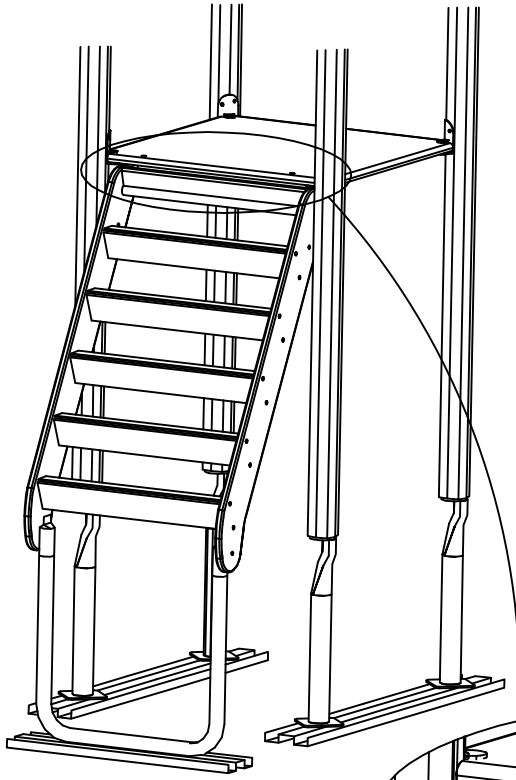
CAP 8
(261806)

M6S 8x40
(302161)

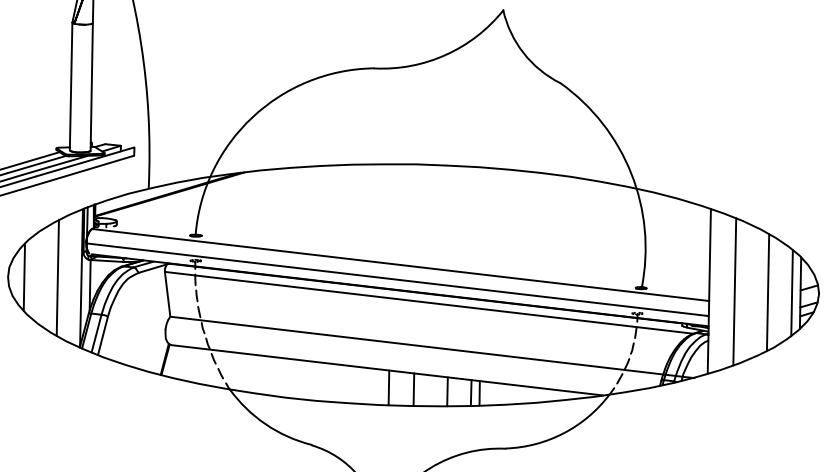
HAGS ANEBY, SWEDEN
+46(0)380-47300
www.hags.com

Stair
670106
1(2)

SSV TOB 2018-05-08 1



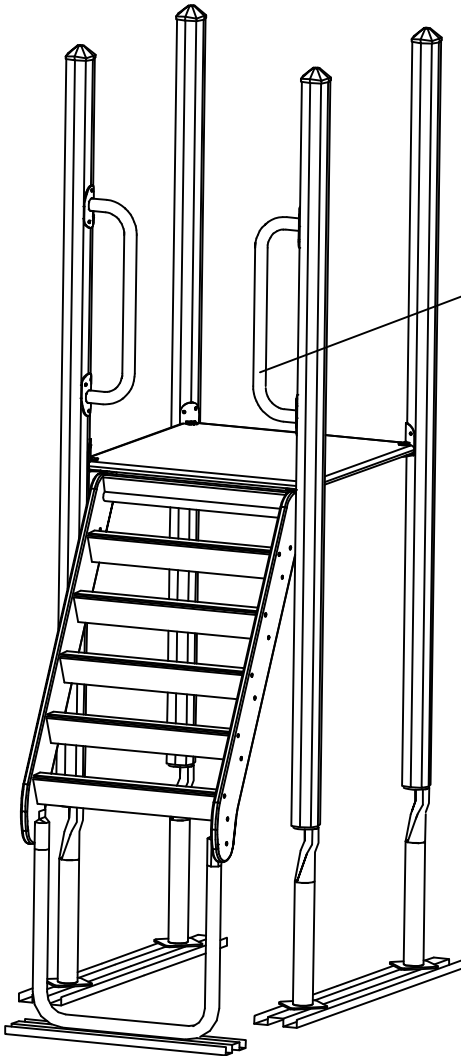
MVBF 8x35
(304603)



SRB
(326017)



M6M A2 M8
324102



699113

HAGS		ANEBY, SWEDEN	
		+46(0)380-47300	
		www.hags.com	
Stair			
670106			
2(2)			
	SSV		TOB 2018-05-08 1