

POS-NR POS-NO	ART-NR ART-NO	ANTAL/QUANTITY MENGE/QUANTITE
------------------	------------------	----------------------------------

STEP 1		
142000100M	14100011	3
	14160073	1
	14160082	1
	14160089	1

1426410M	41277010	1
	14174210	1

1426420M	14164210	1
	14174210	1

1426540M	14165410	1
	14165411	1

1427450M	14174510	3
	14174511	3
	14174512	3
	14174513	3
	14174514	1

STEP 2		
1426450M	14164510	1
	14164511	1
142666	14166610	1
142676	14167610	1

14450990M		1
-----------	--	---



35 h



Varje vecka
Every week
Jede woche
Chaque semaine



Varje säsong
Every season
Jedes Jahr
Chaque saison

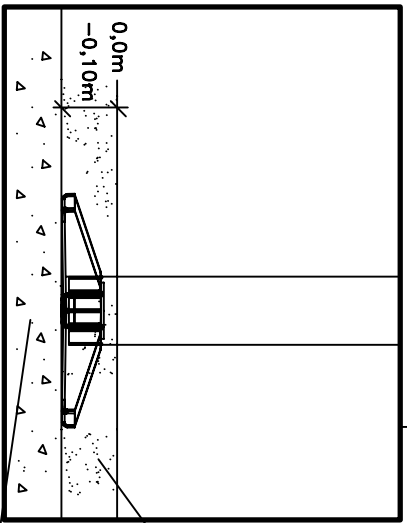
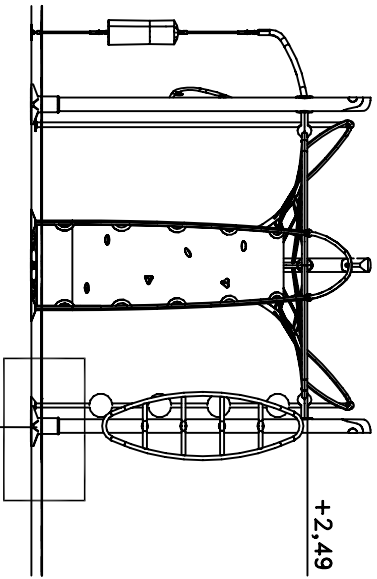



5-12


HAGGS ANEBY, SWEDEN
+46(0)380-47300
www.haggs.com


Corro
1 445090M
I (III)


MW JS 2007-07-09 10

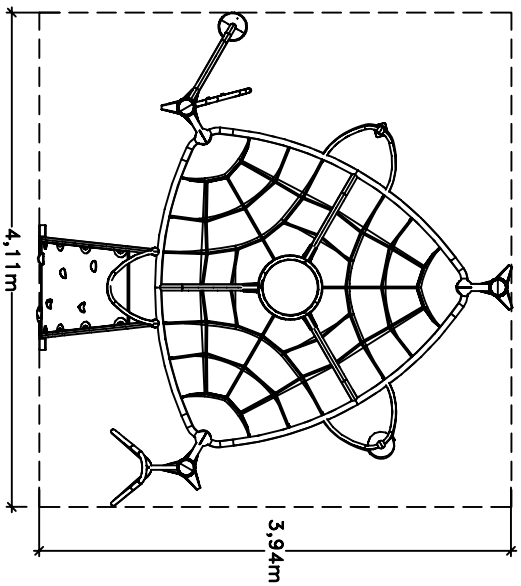






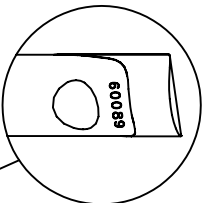
 ≥EN 1176
 TYPE 3
 144



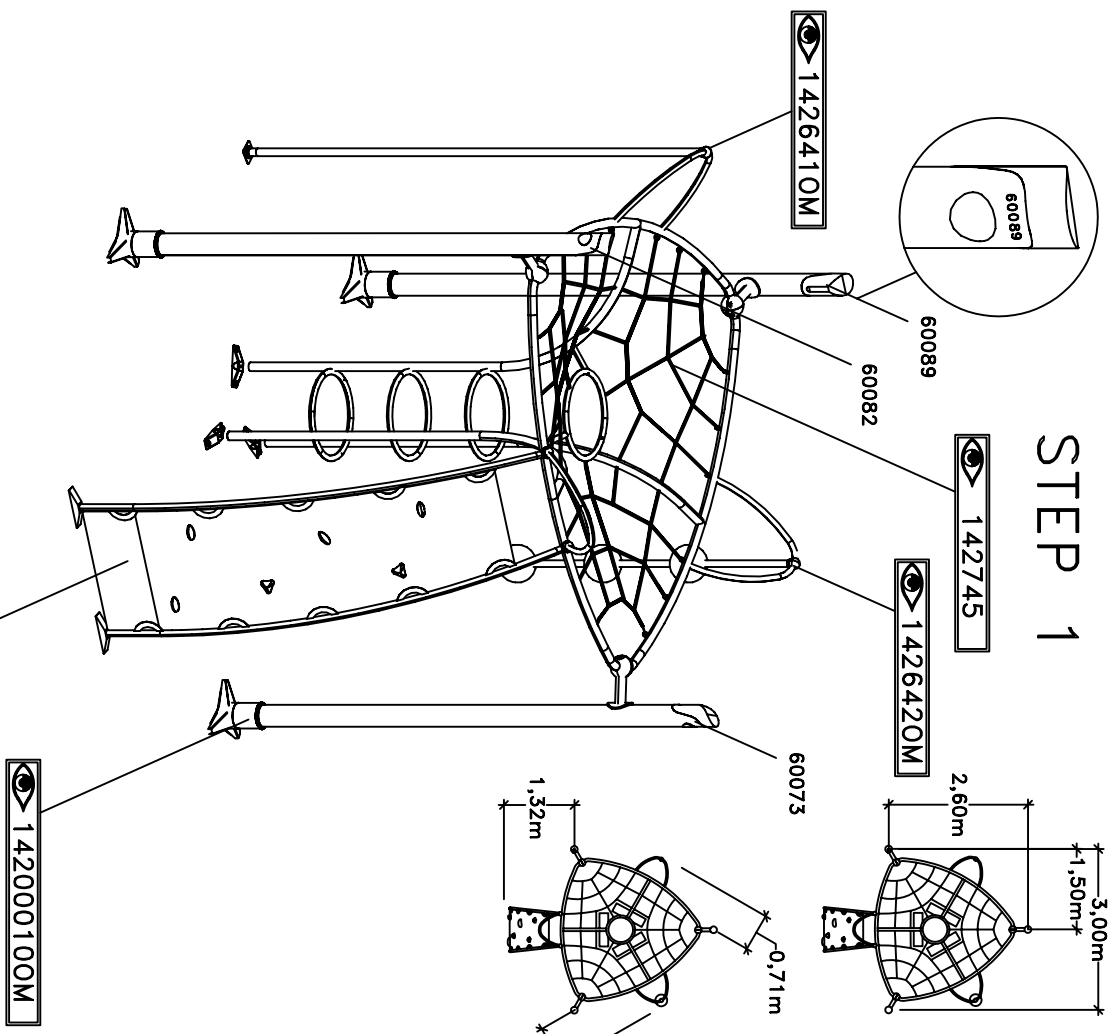
 2x24h
 >C20/25
 S1-S3
 (EN 206-1)
 101



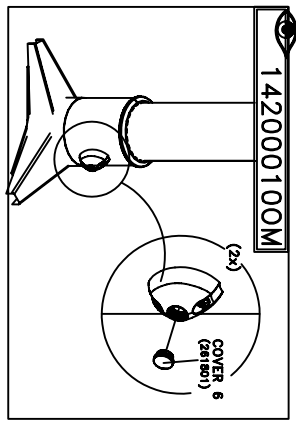
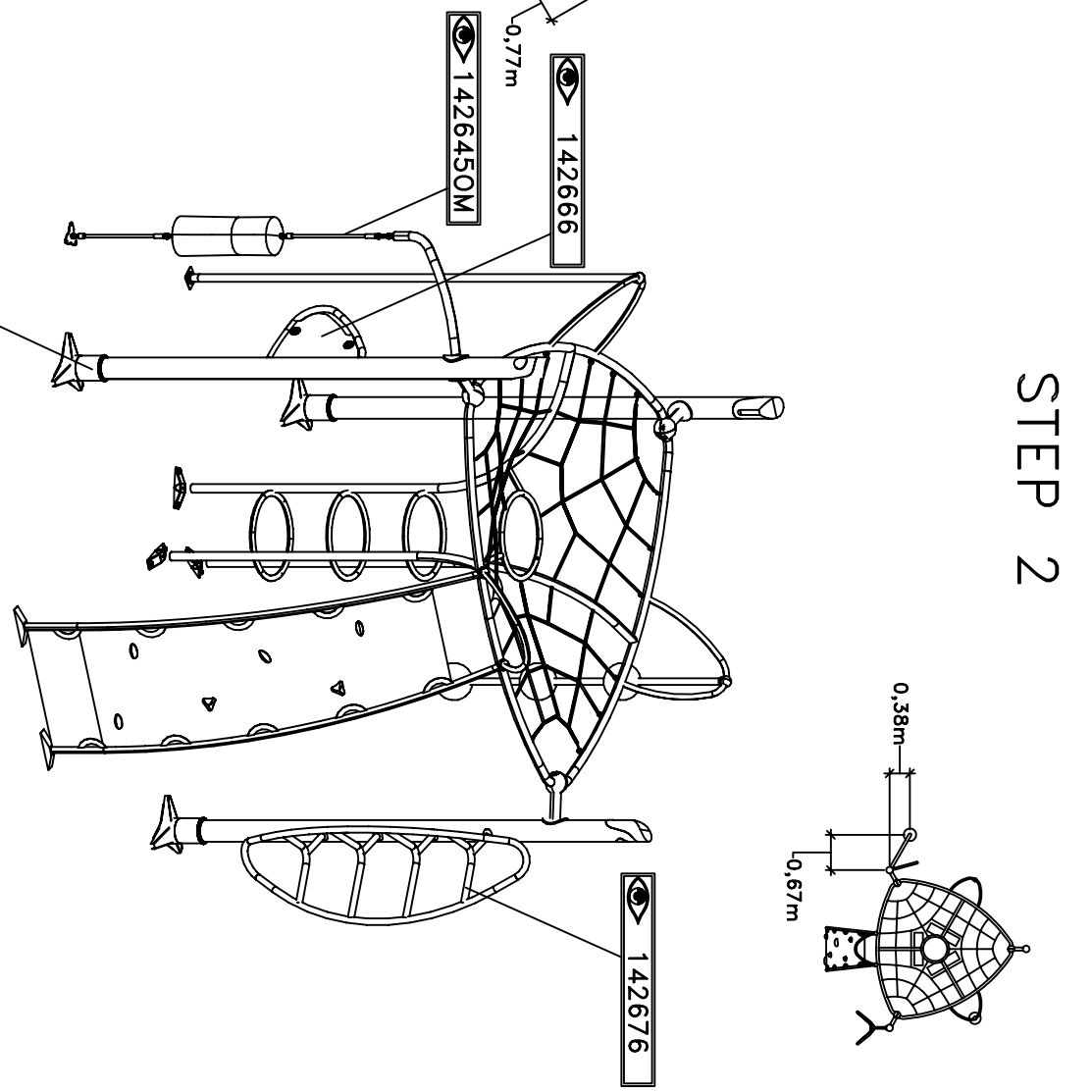
HAGGS
 ANEBY, SWEDEN
 +46(0)380-47300
 www.higgs.com
 Corro
 1445090M
 II(III)
 MW  2007-07-09 0



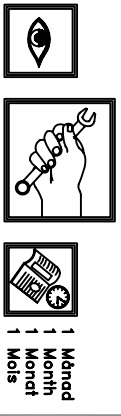
STEP 1



STEP 2



STEP 3



- 1 Mannd
- 1 Month
- 1 Monnt
- 1 Moits

HAGGS
 ANEBY, SWEDEN
 +46(0)380-47300
 www.higgs.com

Corro
 1 445090M
 III(III)

MW JS 2007-07-09