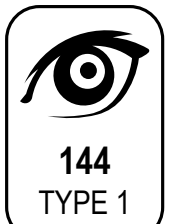


1 **23 kg!** **78803026**
4 No
 Cape Horn Post (Type A)



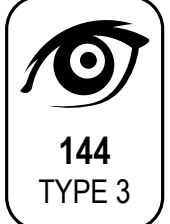
2 **78805059**
4 No
 850mm Long Rope

3 **78803002**
1 No
 Plank Support



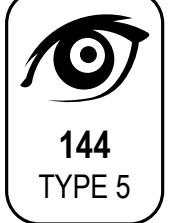
4 **17 kg!** **78804005**
1 No
 Bridge Plank

5 **10211060**
7 No
 10 x 60mm Coach Screw



6 **10301002**
7 No
 M10 Armour Ring

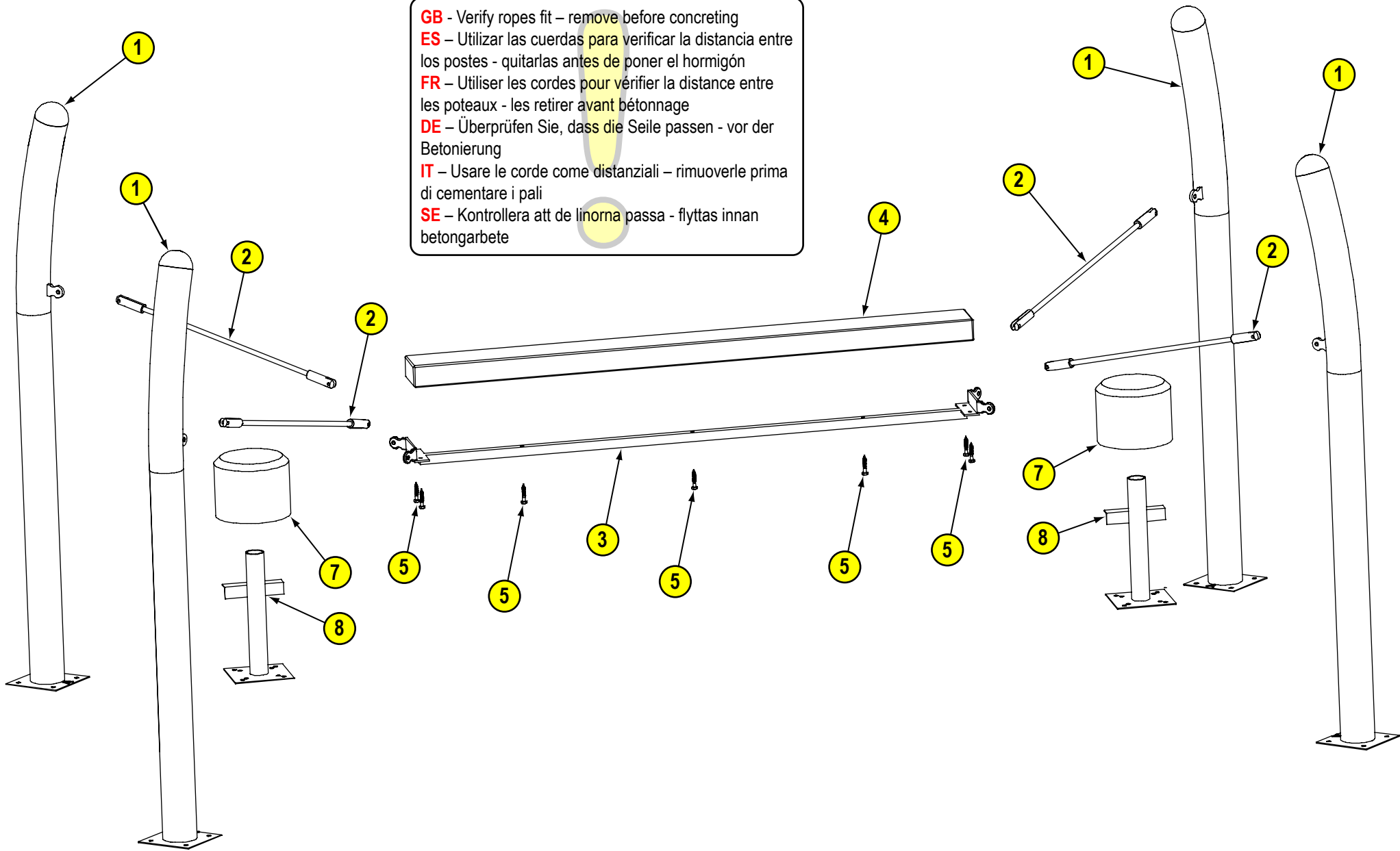
7 **RYBL200**
2 No
 200mm Red Bollard

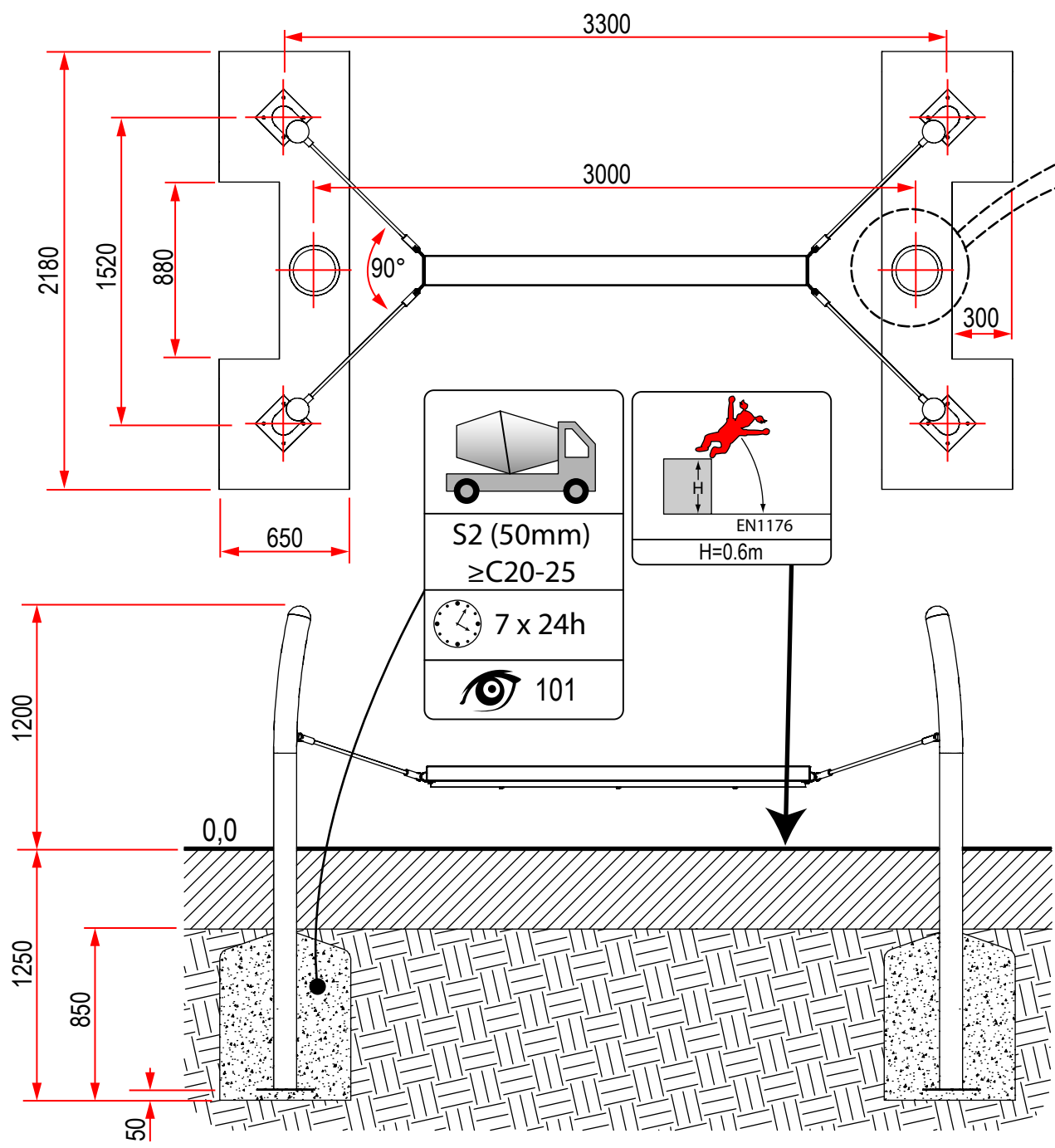


8 **803702**
2 No
 200mm Bollard Fix Post

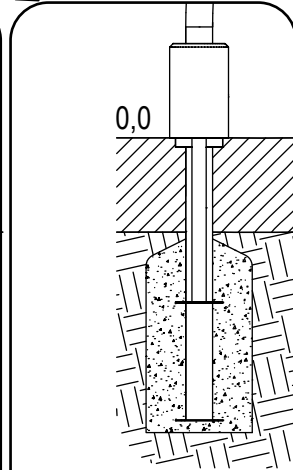
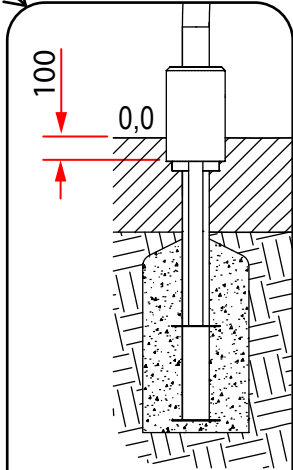
9 **RYADHBK**
1 No
 Bollard Adhesive
<http://www.alansonsuk.com/downloads.asp>

GB - Verify ropes fit – remove before concreting
ES – Utilizar las cuerdas para verificar la distancia entre los postes - quitarlas antes de poner el hormigón
FR – Utiliser les cordes pour vérifier la distance entre les poteaux - les retirer avant bétonnage
DE – Überprüfen Sie, dass die Seile passen - vor der Betonierung
IT – Usare le corde come distanziali – rimuoverle prima di cementare i pali
SE – Kontrollera att de linorna passa - flyttas innan betongarbete





m³
 2.00

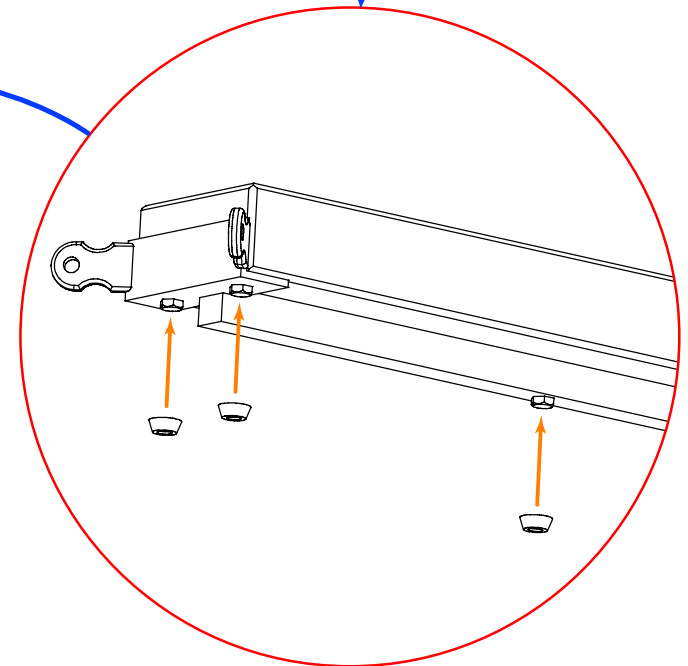
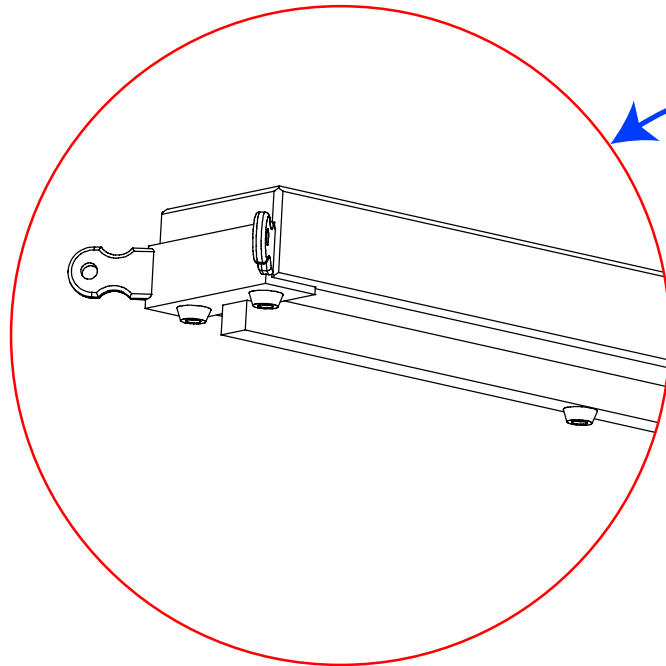
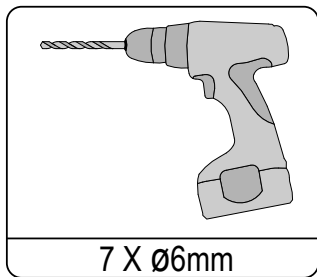
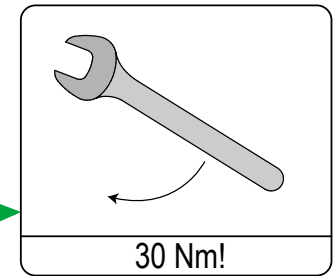
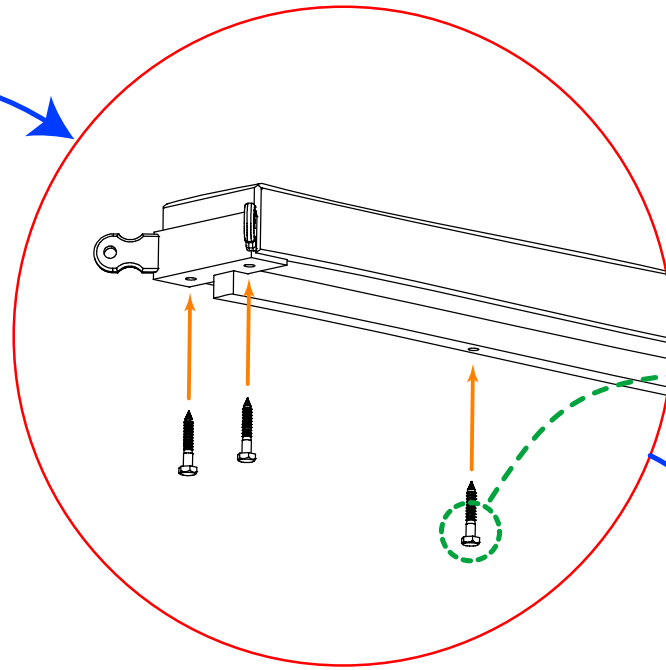
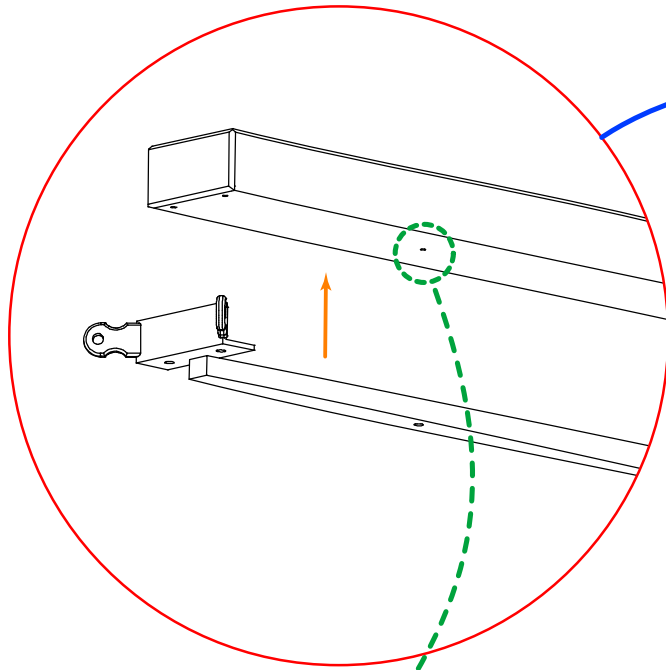


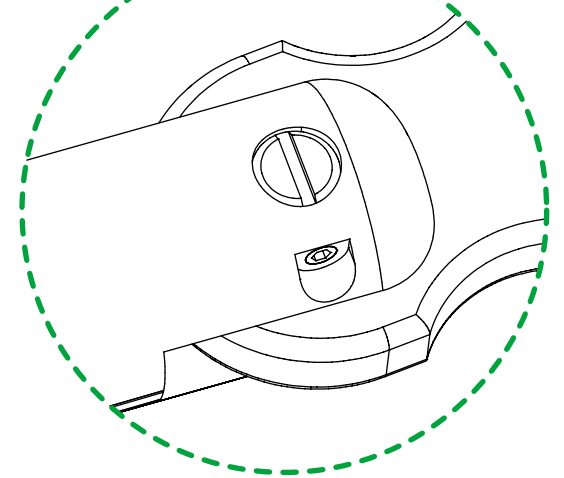
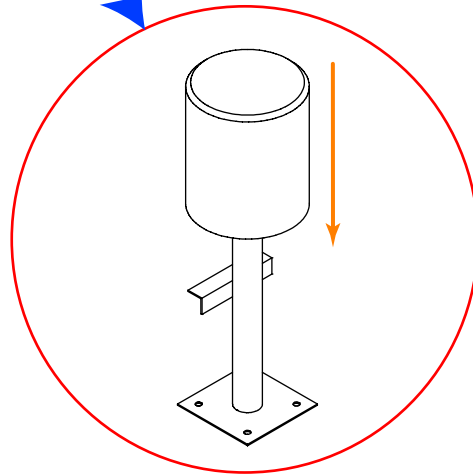
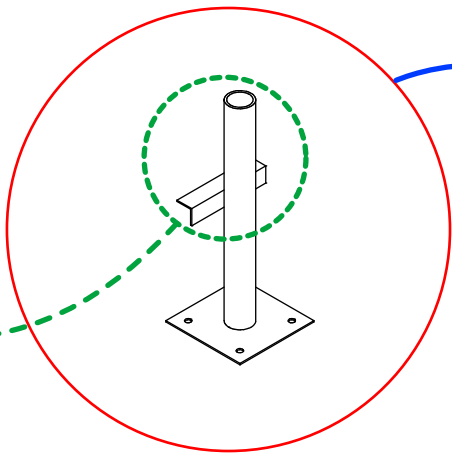
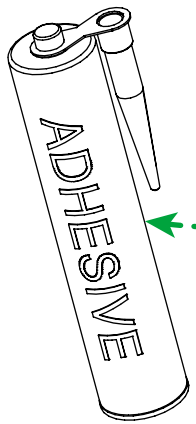
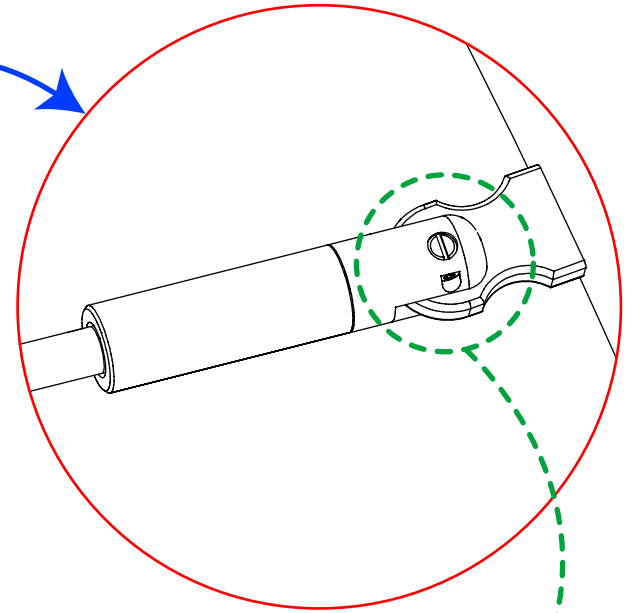
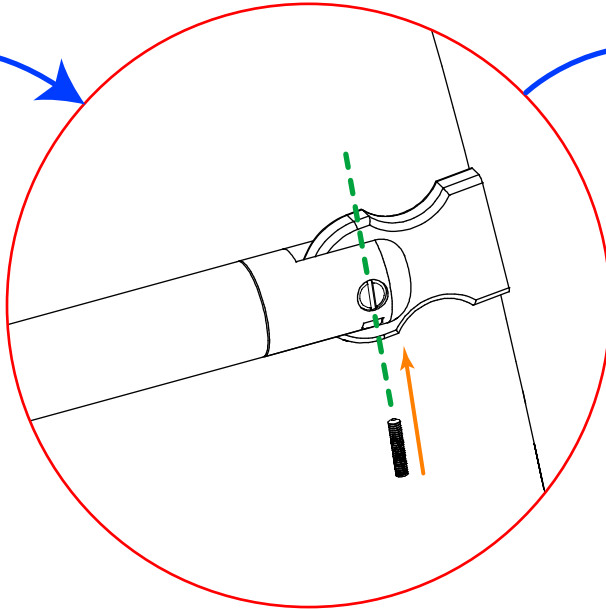
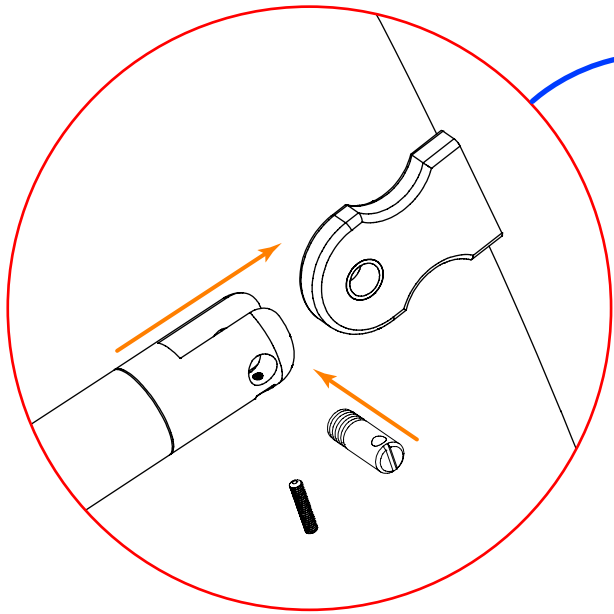
144
 TYPE 1
 Sand

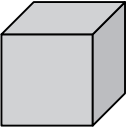
144
 TYPE 2
 Bark

144
 TYPE 3
 Synthetic

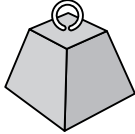
144
 TYPE 5
 Grass mat



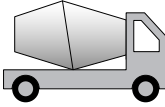




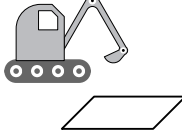
LxWxH (m)
3.42 x 1.64 x 1.20




kg
147



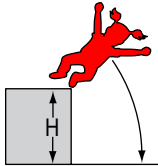
m³
2.00



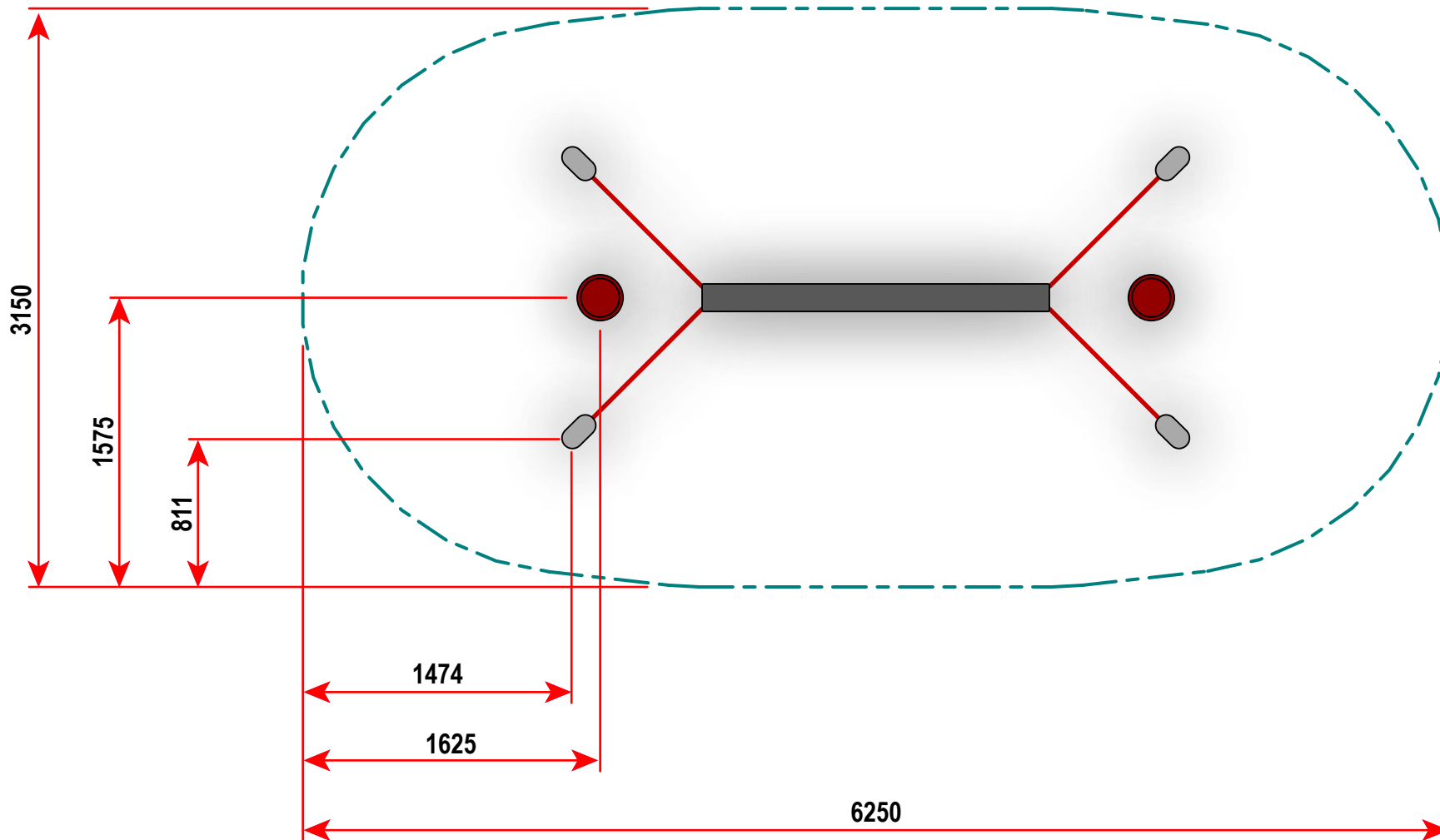
m²
10 x 10



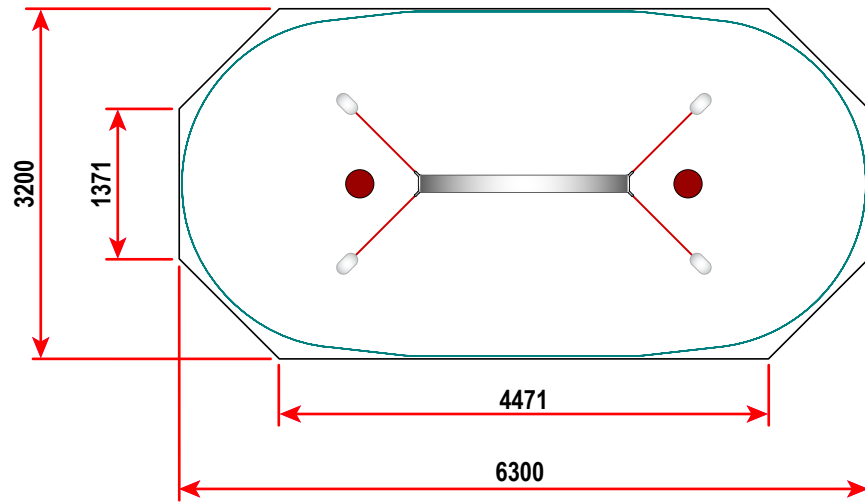
X 2 = T
T = 8 hr



EN1176
H=0.60m



 **144**
TYPE 5
Grassmat



 **144**
TYPE 3
Synthetic

